

Neurosurgery

Catalogue

MHP - Handelsgesellschaft Deutschland mbH

 www.mhp-gmbh.com

 info@mhp-gmbh.com

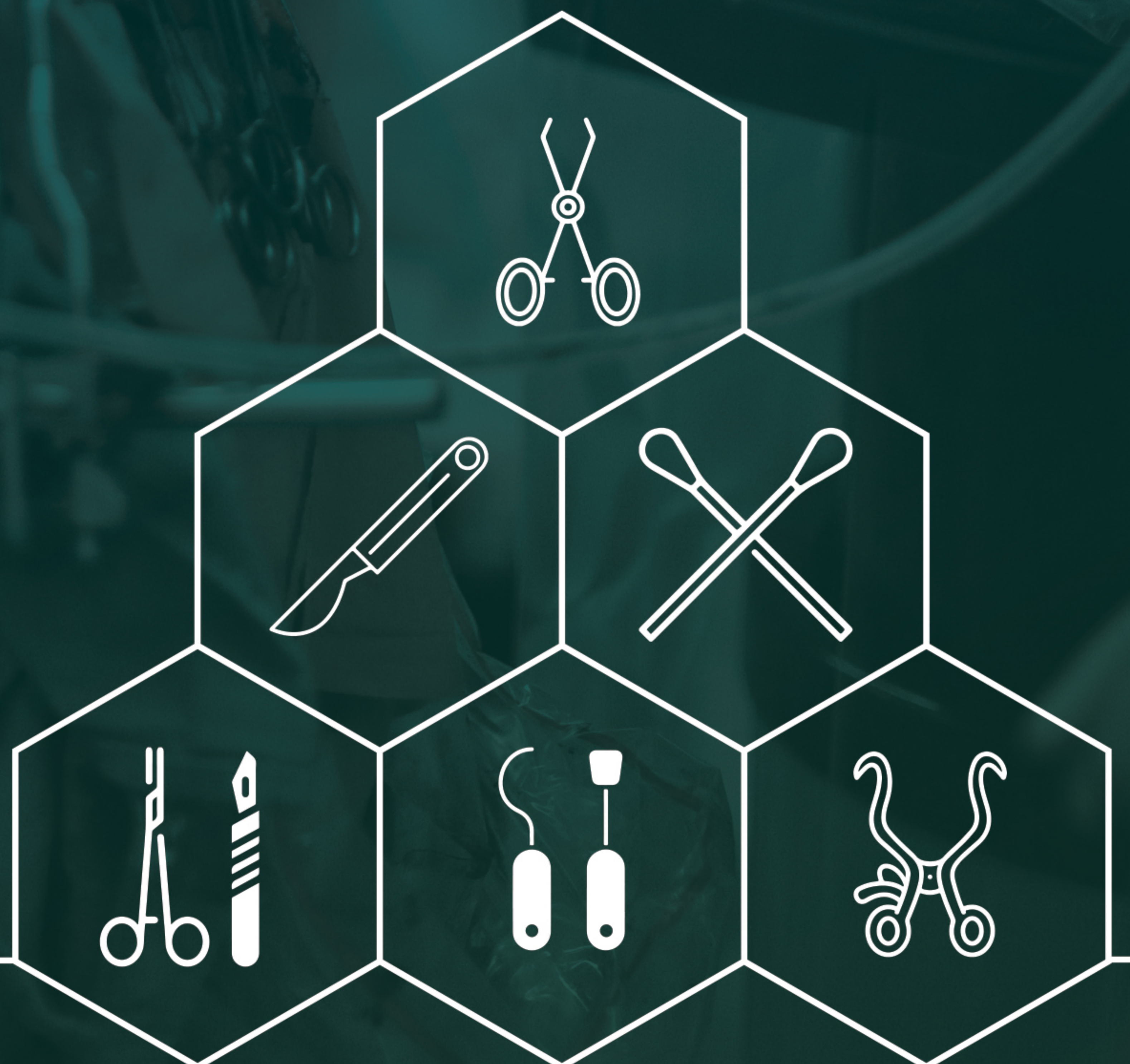


Table of Contents

01. Introduction

02. Rhoton-Merz Brain Retractor Set

02. Riechert

02. Leyla

02. Leyla

03. Hand Drill, Twist Drills, Spherical Burrs

03. Hudson Brace

03. Galt

04. Skull Traction Tongs

04. Crutchfield

04. Crutchfield

04. Crutchfield

05. Rongeurs

05. Cushing

05. Love-Gruenwald

06. Cloward-Type Serrated cup jaws

05. Love-Gruenwald

06. Cushing Love-Gruenwald Spurling

07. Laminectomy Rongeurs

07. Spurling

08. Schlesinger

09. Yasargil

10. Wagner

11. Takahashi

12. Love-Gruenwald

07. Schlesinger

08. Oldberg

09. Landolt

10. Weil-Blakesley

11. Caspar

12. Caspar

13. Laminectomy Punches

13. Hajek-Kofler

14. Citelli

13. Hajek-Kofler

15. Punches

15. Love-Kerrison Laminectomy Punch

16. Laminectomy Punches

16. Thin Footplate Kerrison Punch

17. Laminectomy Rongeurs

17. Ferris - Smith

17. Pituitary Rongeur

- | | |
|---|--|
| 18. Weil - Blakesley | 18. Wilde Intervertebral Disc Rongeur |
| 19. Decker Intervertebral Disc Rongeur | 19. Micro Grasping Forceps |
| 20. Micro Alligator Scissors | 20. Micro Cup Forceps |
| 21. Micro Alligator Scissors | |

22. Dura Hooks / Nerve Hooks

- | | |
|-----------------------|------------------------------------|
| 22. Scoville | 22. Nerve Separator & Spatula |
| 22. Frazier | 22. Gillies |
| 23. Lahey Clinic | 23. Sachs |
| 23. Toennis | 23. Dura Twist Hook |

24. Craniel Rongeurs, Dura Dissectors

- | | |
|-------------------|---------------------|
| 24. Sachs | 24. Milligan |
| 24. Sachs | 24. Penfield |
| 24. Penfield | 25. Penfield |
| 25. Raney | 25. Raney |
| 25. Adson | 25. Cone |
| 26. Dahlgren | 26. De Vilbiss |

27. Lamina Spreaders

- | | |
|---------------------------------|------------------|
| 27. Inge | 27. Inge |
| 27. Inge | 27. Cloward |
| 28. Lumbar Lamina Spreader | 28. Cloward |

Introduction

Neurosurgery places the highest demands on precision, reliability and instrument quality.

Every procedure – whether in the field of cranial, spinal or microsurgical interventions – requires perfectly matched instruments that ensure precise handling and maximum safety.

MHP – Sterile Instruments stands for high-quality surgical solutions developed specifically for the demanding requirements of neurosurgery. Our range comprises a carefully selected array of instruments that impress with their precise workmanship, ergonomic design and durable materials.

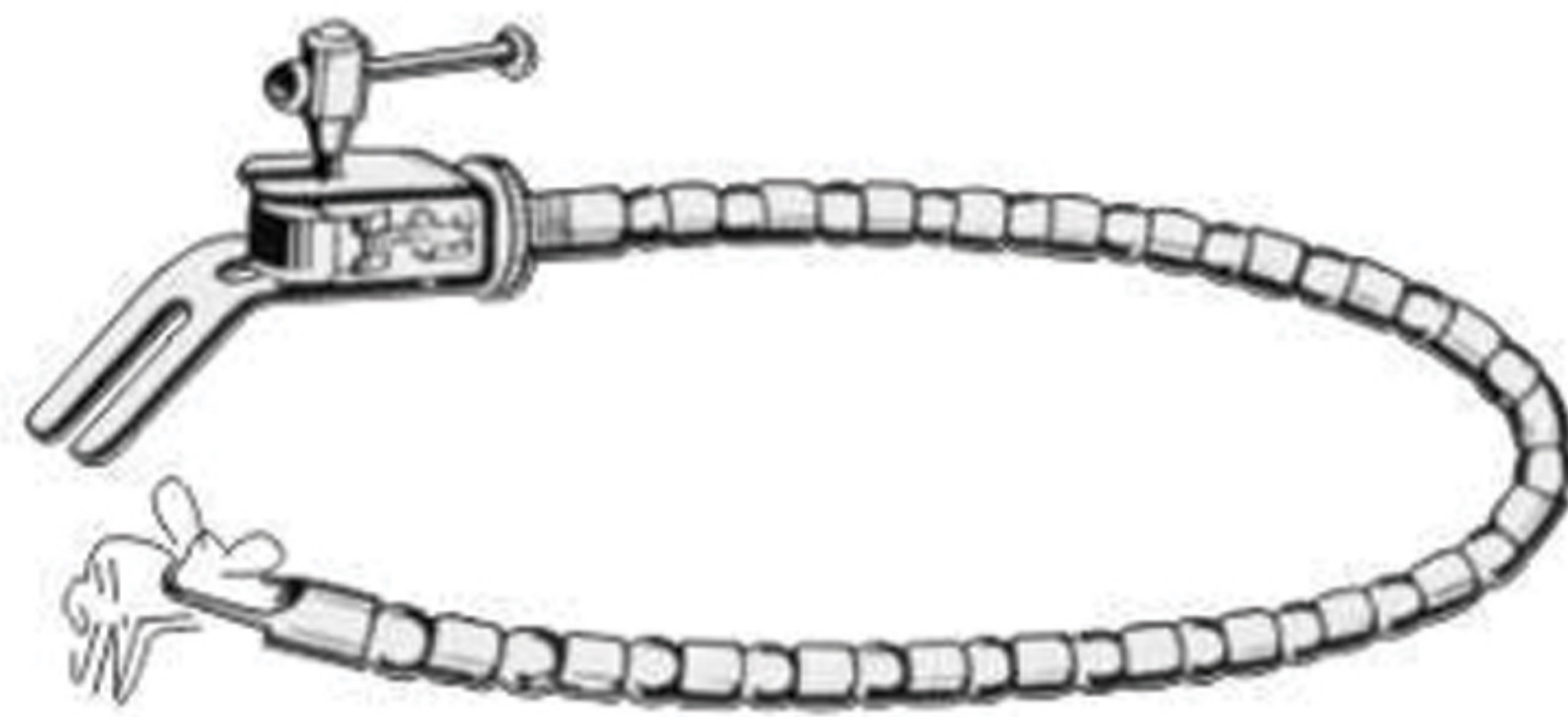
All products are manufactured to strict quality standards and are optimally tailored to the requirements of modern operating theatre environments. Sterility, functionality and user-friendliness are at the heart of our approach.

With this catalogue, we offer you a structured overview of our neurosurgery portfolio – as a reliable foundation for your daily work in the operating theatre.



Rhoton-Merz Brain Retractor Set

Riechert



25M-001H-000P
wire cable only



25M-002H-001P
Support only, flat
brain spatulas.



25M-003H-002P
Support only, for
brain spatulas with
round shaft up to
5.5 mm diam,
Fixing for flexible



25M-004H-003P
Fixation base, for skull
mounting, holding 1
flexible arms

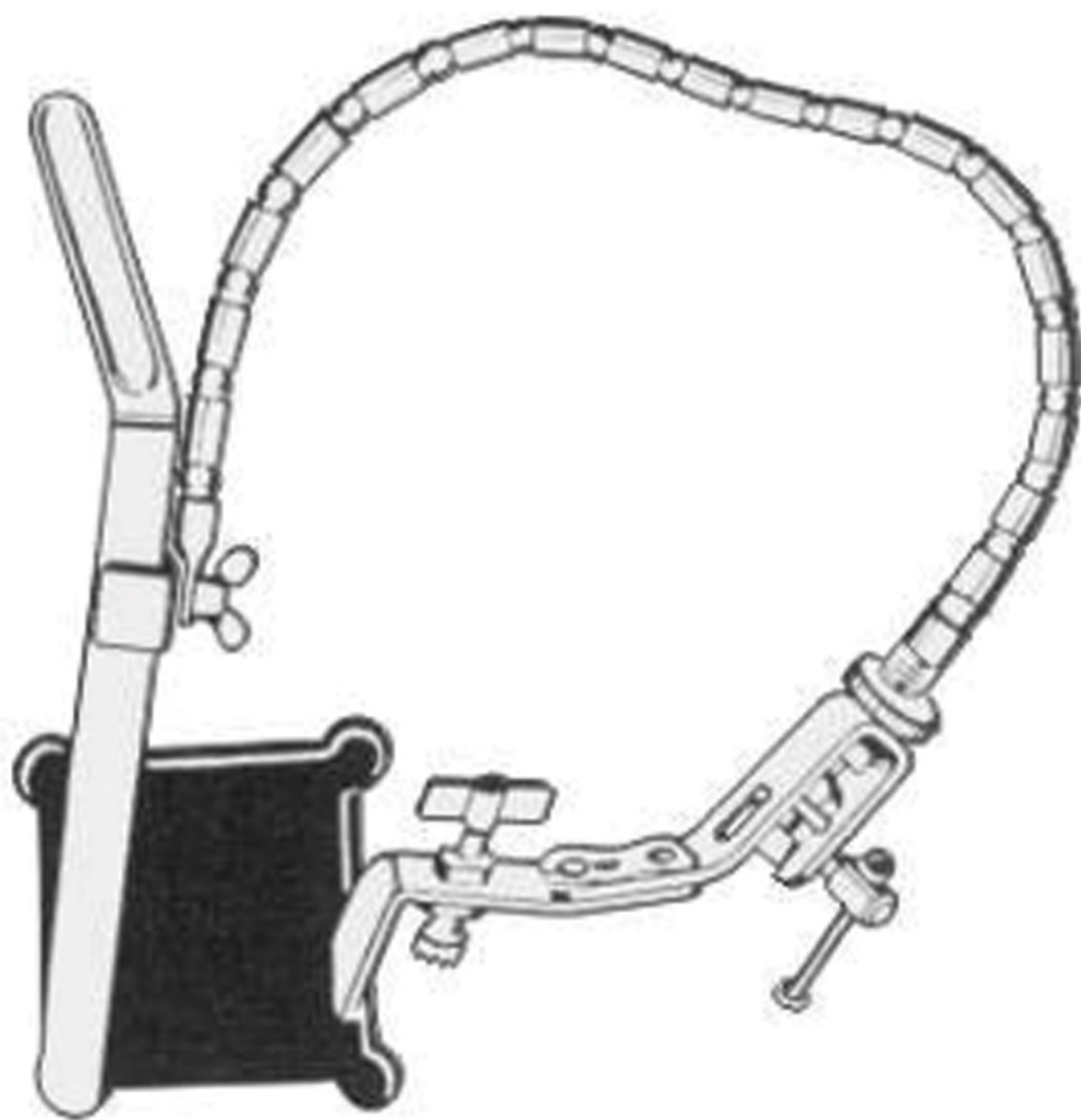


25M-005H-004P
Fixation base, for skull
mounting, holding 2
flexible arms



25M-006H-005P
Fixation base, for skull
mounting, holding 1
flexible arms

Leyla



Self-Retaining Brain Retractor with
1 flexible arm, complete consisting of
25M-007H-001P
25M-008H-002P
25M-009H-003P

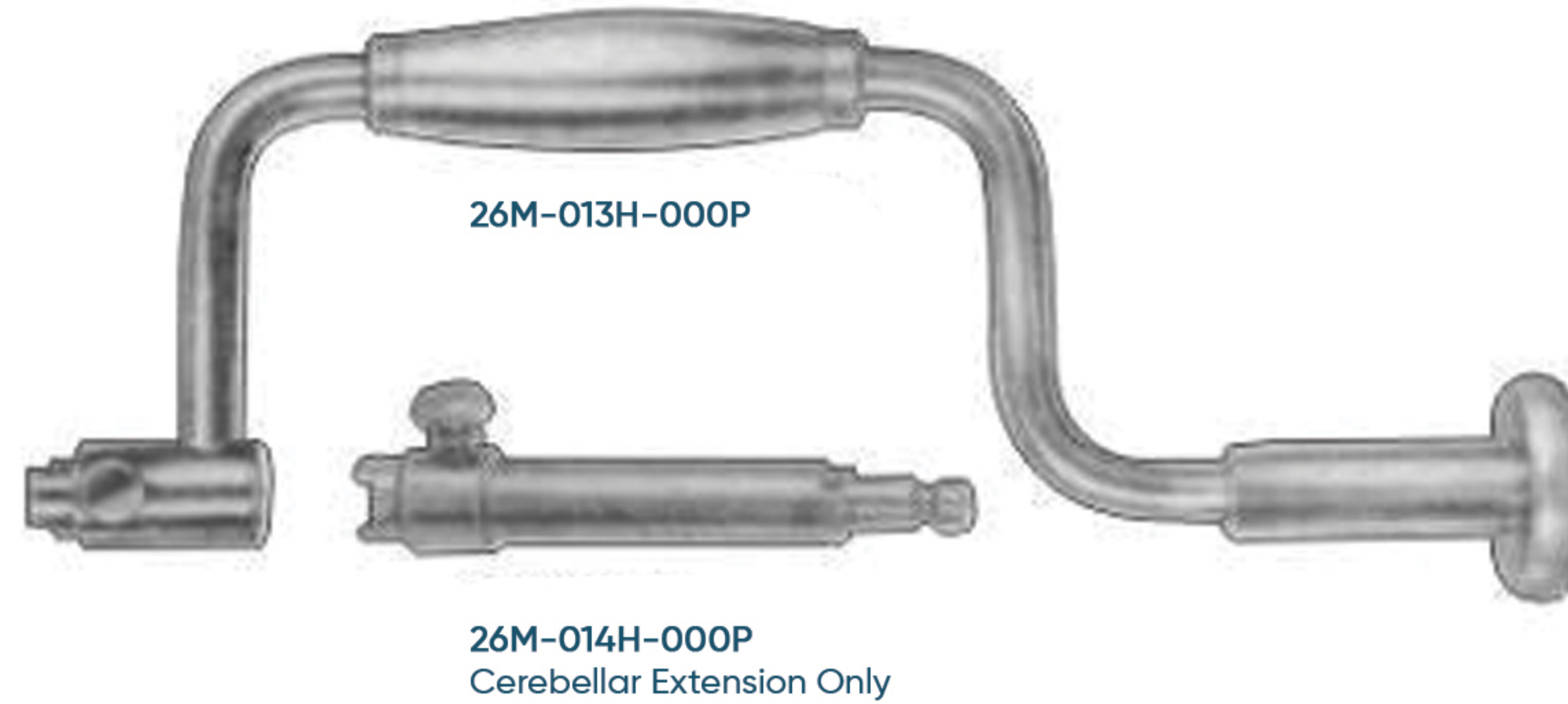
Leyla



Self-Retaining Brain Retractor with
2 flexible arm, complete consisting of
25M-010H-001P
25M-011H-002P
25M-012H-003P

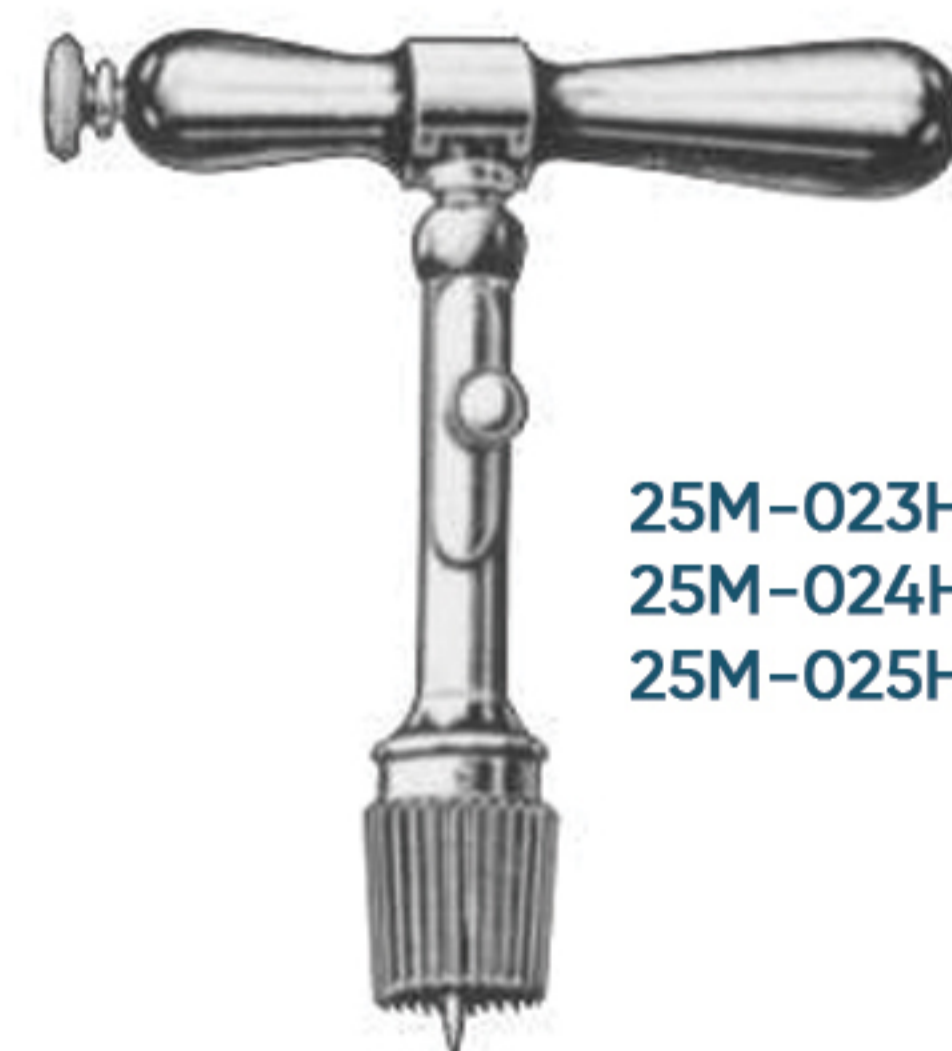
Hand drill, Twist Drills, Spherical Burrs

Hudson Brace



26M-015H-000P Ø 9 mm 26M-016H-000P Ø 14 mm 26M-017H-000P Ø 16 mm 26M-018H-000P Ø 22 mm 26M-019H-000P Ø 15 mm 26M-020H-000P Ø 13 mm 26M-021H-000P Ø 14 mm 26M-022H-000P Ø 2 mm

Galt

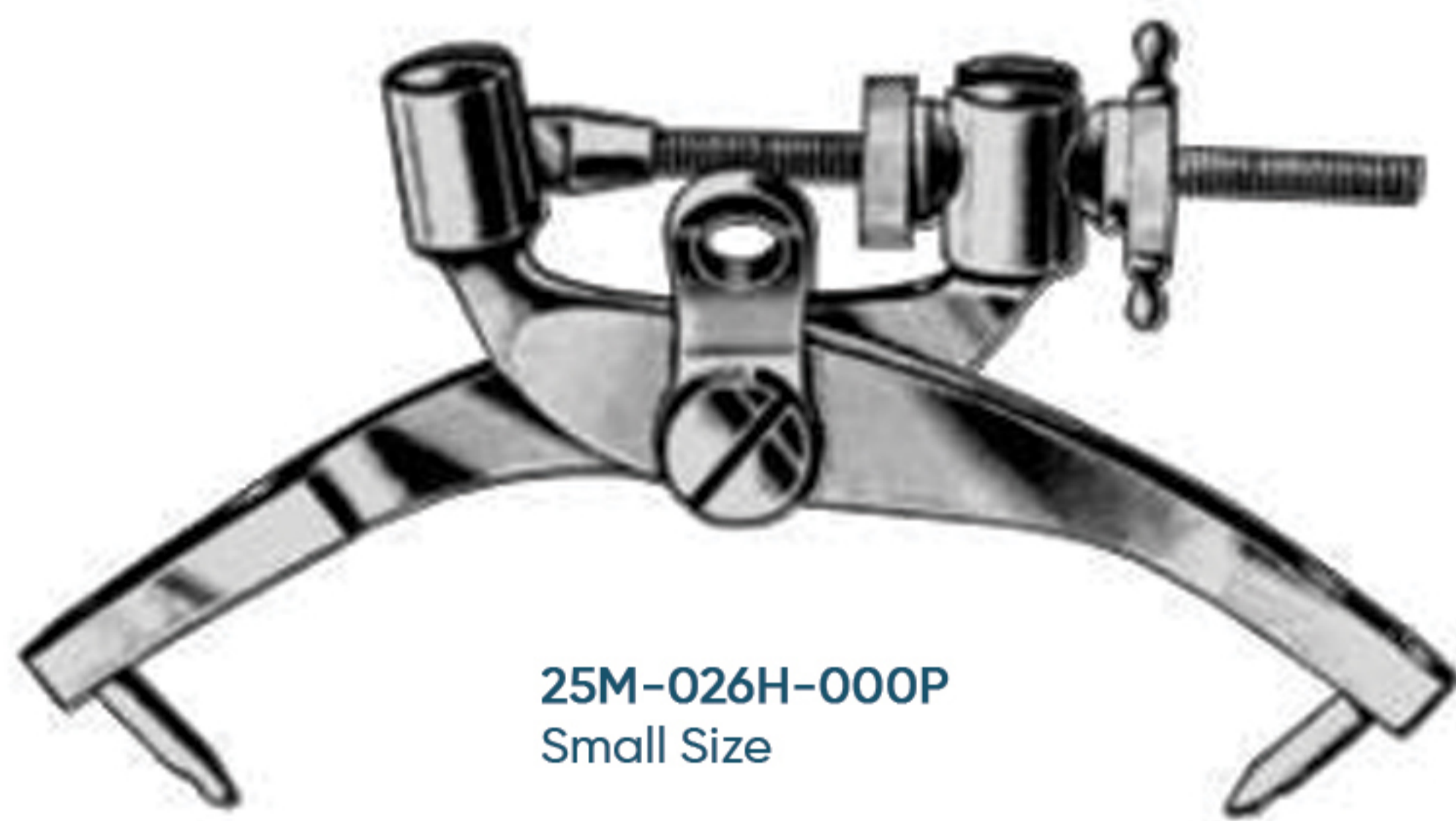


25M-023H-000P Ø 12.5 mm
25M-024H-000P Ø 16
25M-025H-000P Ø 19



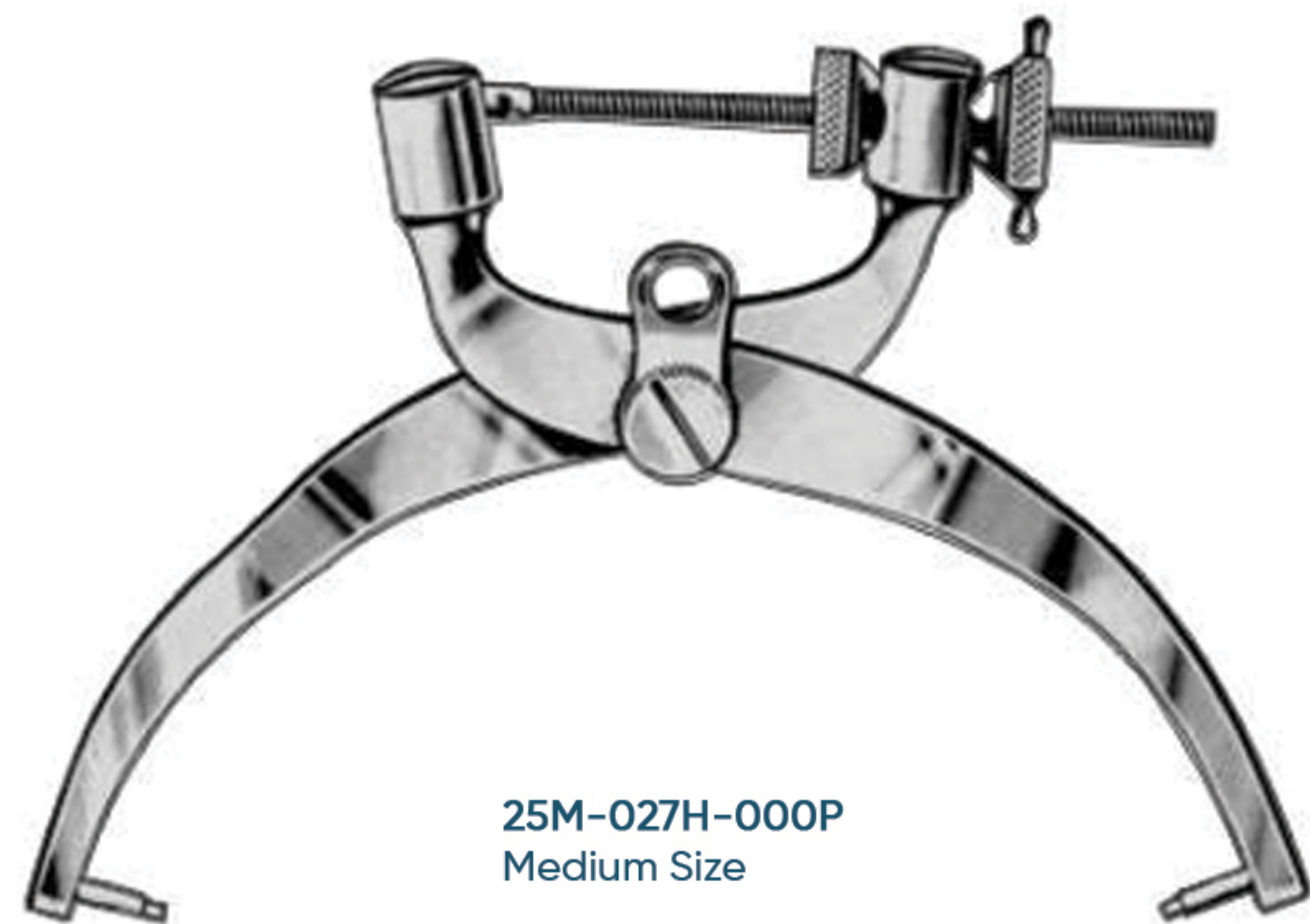
Skull Traction Tongs

Crutchfield



25M-026H-000P
Small Size

Crutchfield



25M-027H-000P
Medium Size



25M-028H-000P
Drill points only



25M-029H-000P

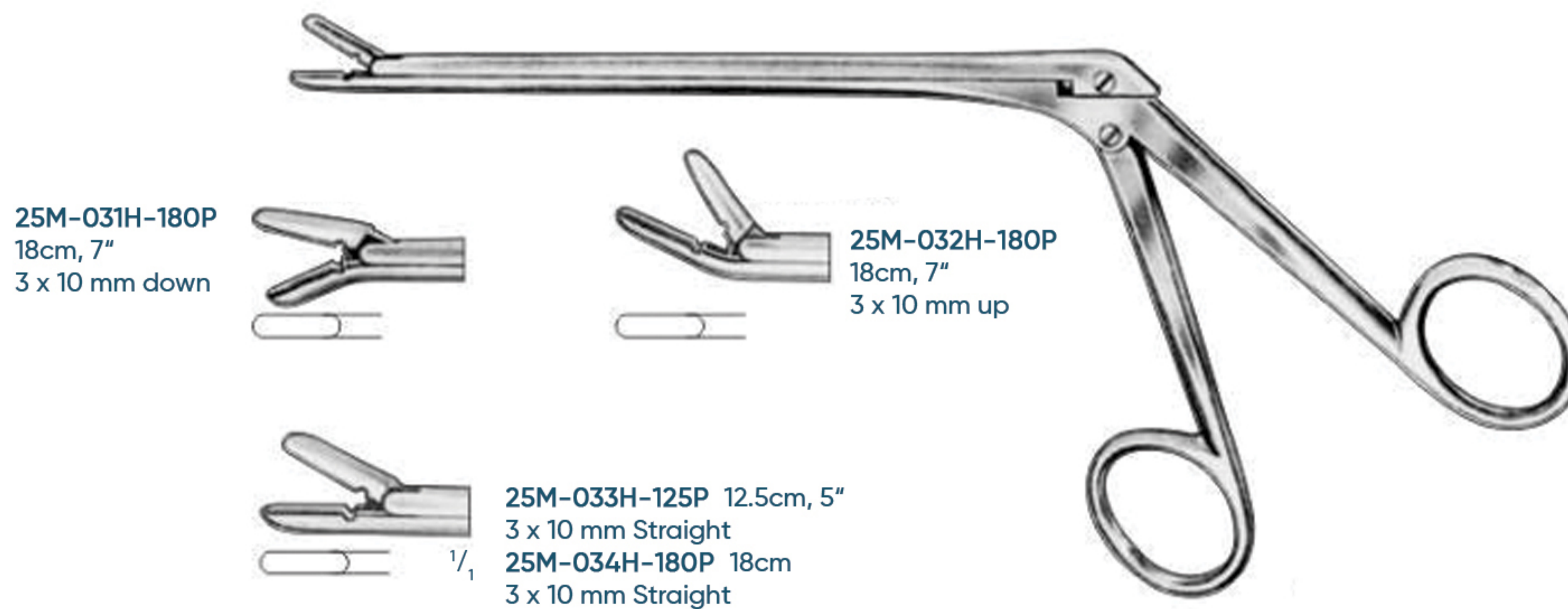
Crutchfield



25M-030H-000P
Large Size

Rongeurs

Cushing



Love-Gruenwald

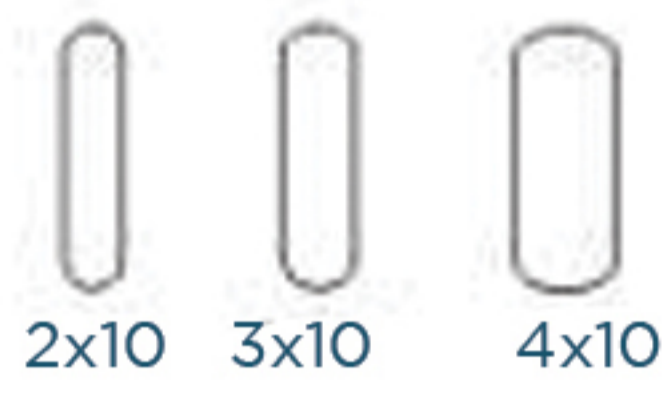


Love-Gruenwald



Rongeurs

Cushing Love-Gruenwald Spurling



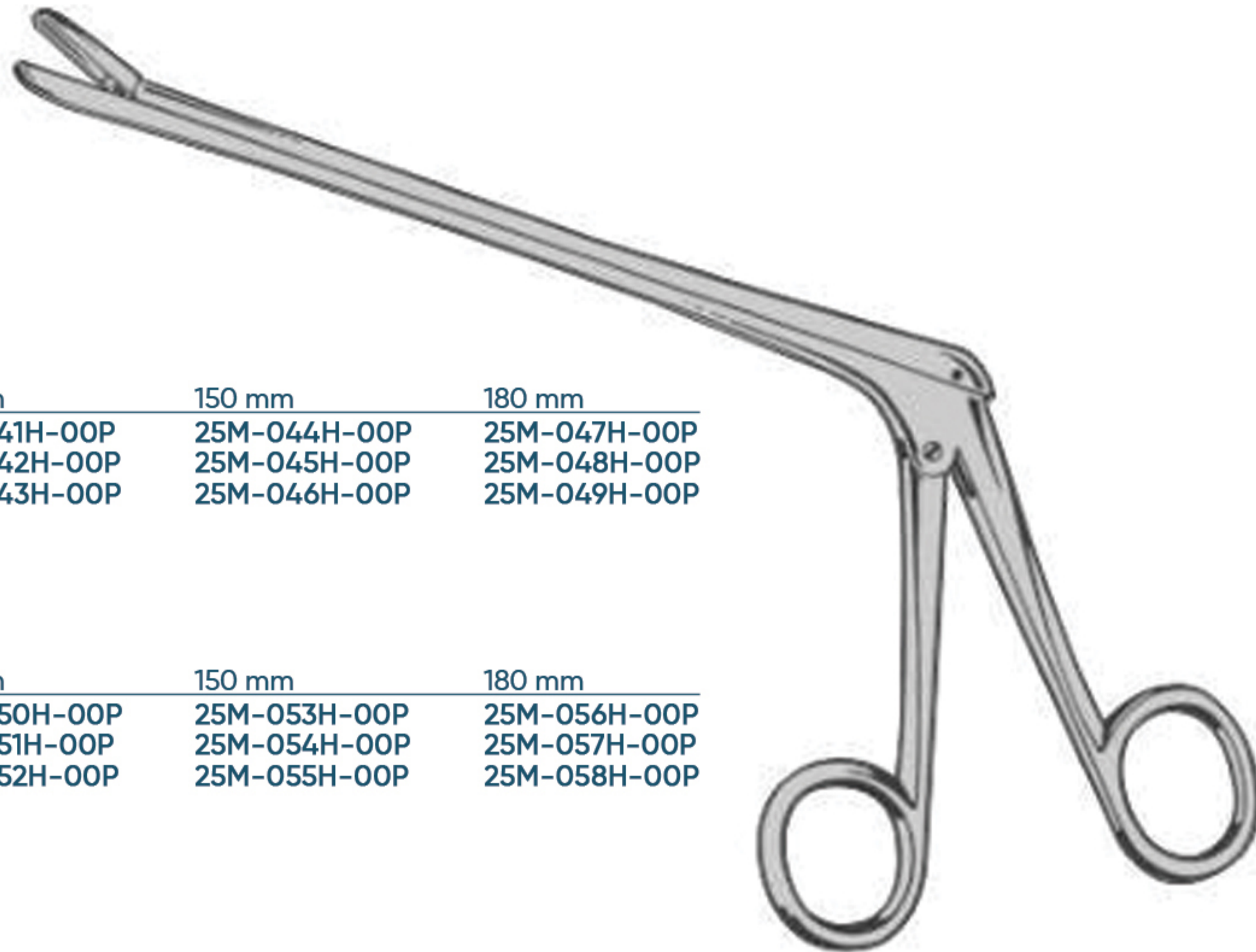
Straight	120 mm	150 mm	180 mm
Shaft			
Bite 2 x 10 mm	25M-041H-00P	25M-044H-00P	25M-047H-00P
Bite 3 x 10 mm	25M-042H-00P	25M-045H-00P	25M-048H-00P
Bite 4 x 10 mm	25M-043H-00P	25M-046H-00P	25M-049H-00P



Angled - up	120 mm	150 mm	180 mm
Shaft			
Bite 2 x 10 mm	25M-050H-00P	25M-053H-00P	25M-056H-00P
Bite 3 x 10 mm	25M-051H-00P	25M-054H-00P	25M-057H-00P
Bite 4 x 10 mm	25M-052H-00P	25M-055H-00P	25M-058H-00P



Angled - down	120 mm	150 mm	180 mm
Shaft			
Bite 2 x 10 mm	25M-059H-00P	25M-062H-00P	25M-065H-00P
Bite 3 x 10 mm	25M-060H-00P	25M-063H-00P	25M-066H-00P
Bite 4 x 10 mm	25M-061H-00P	25M-064H-00P	25M-067H-00P



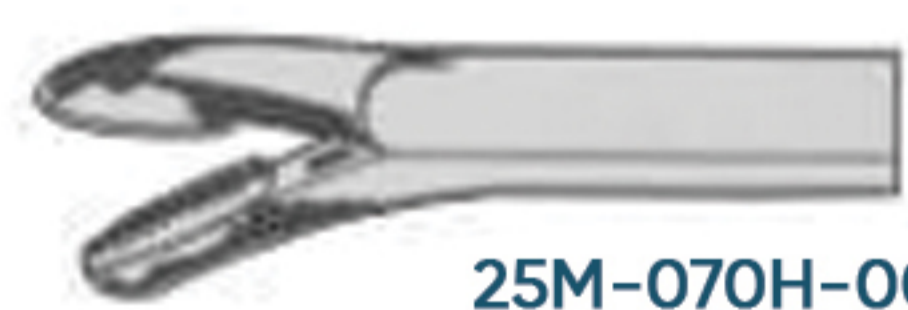
Cloward-Type Serrated cup jaws



25M-068H-00P
Straight



25M-069H-00P
Angled-up



25M-070H-00P
Angled-down



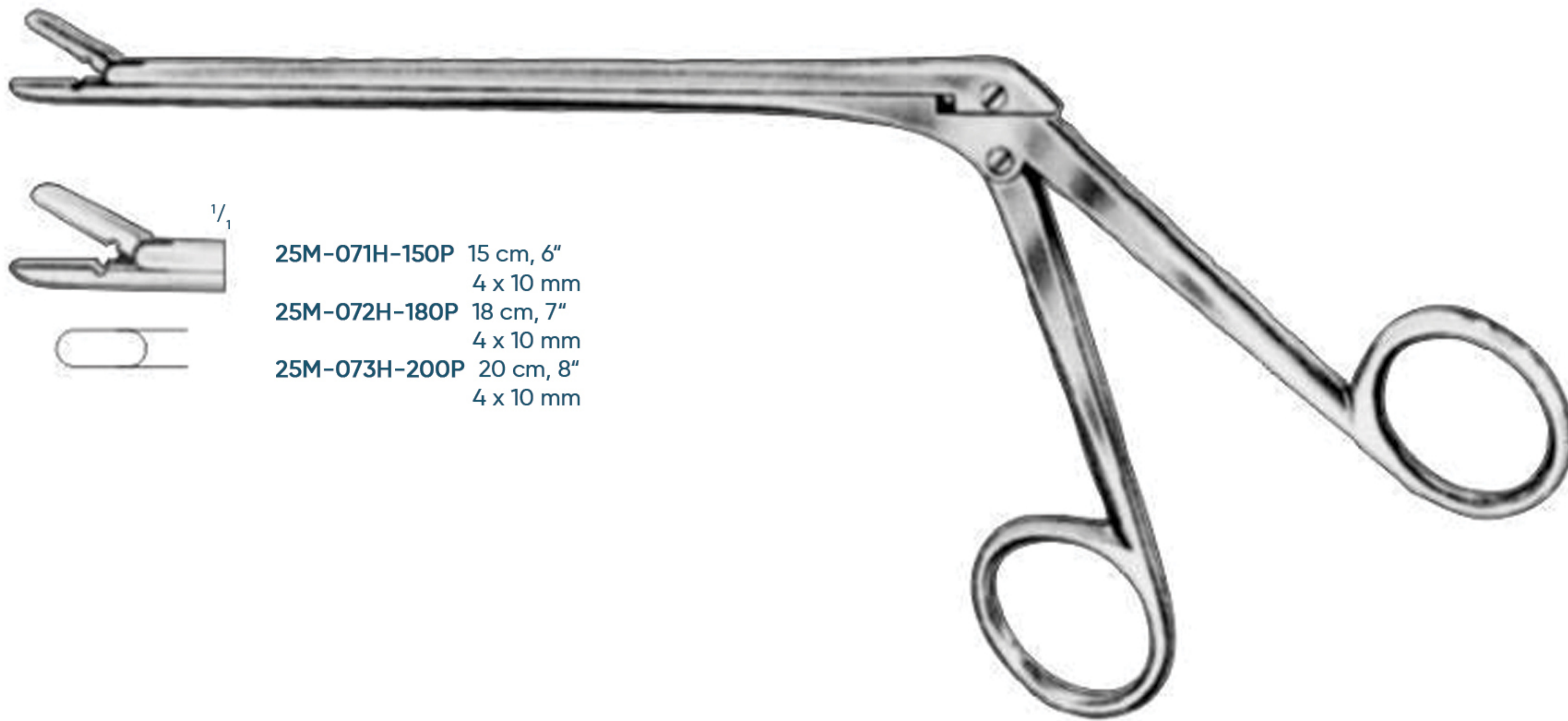
Shaft 150 mm
Bite 6 x 10 mm





Laminectomy Rongeurs

Spurling



25M-071H-150P	15 cm, 6"
	4 x 10 mm
25M-072H-180P	18 cm, 7"
	4 x 10 mm
25M-073H-200P	20 cm, 8"
	4 x 10 mm

Schlesinger

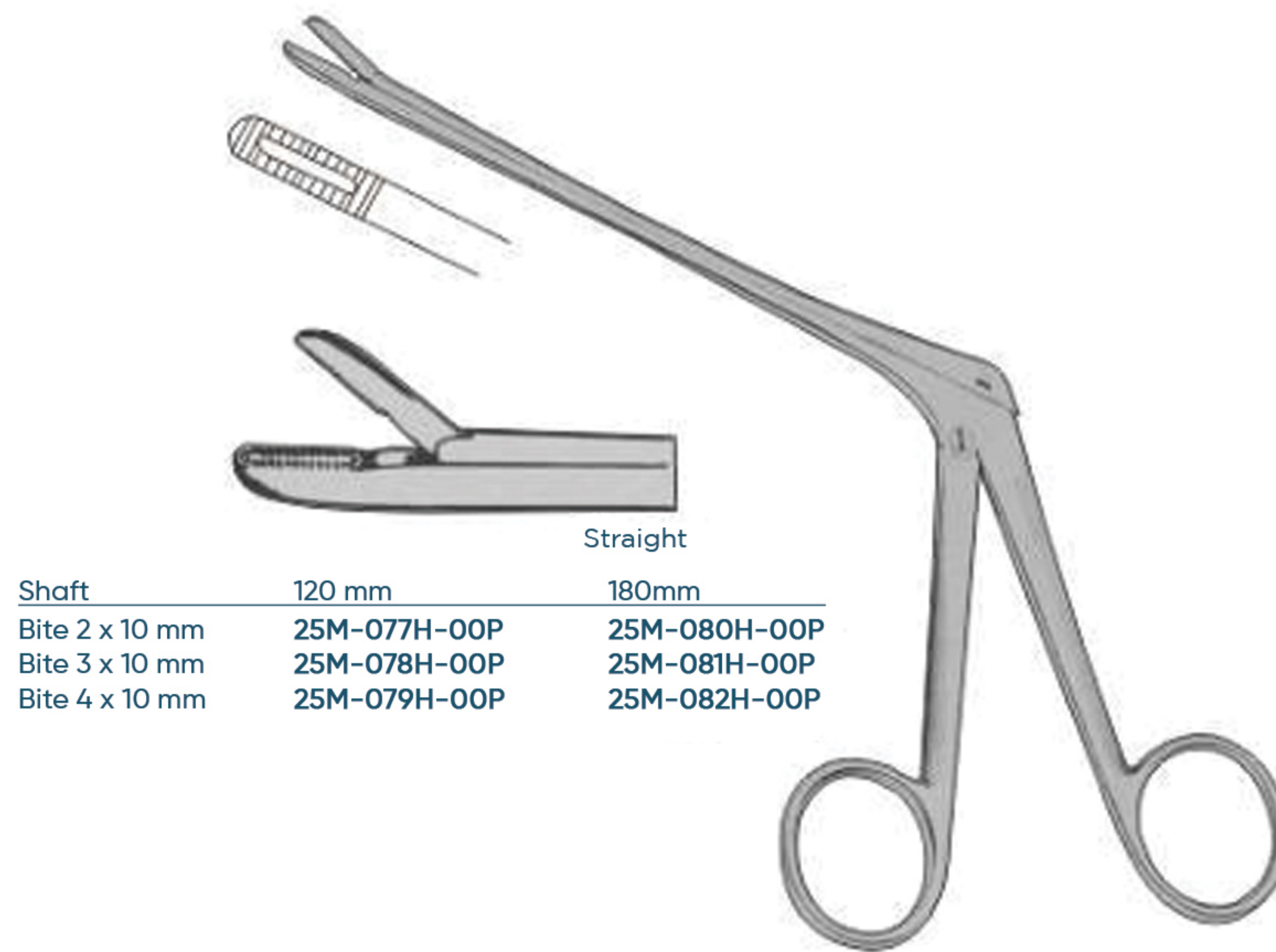


25M-074H-150P	25M-075H-150P	25M-076H-150P
15cm, 6"	15cm, 6"	15cm, 6"
Straight	Straight	Straight
2 x 10 mm	3 x 10 mm	4 x 10 mm
Serrated	Serrated	Serrated

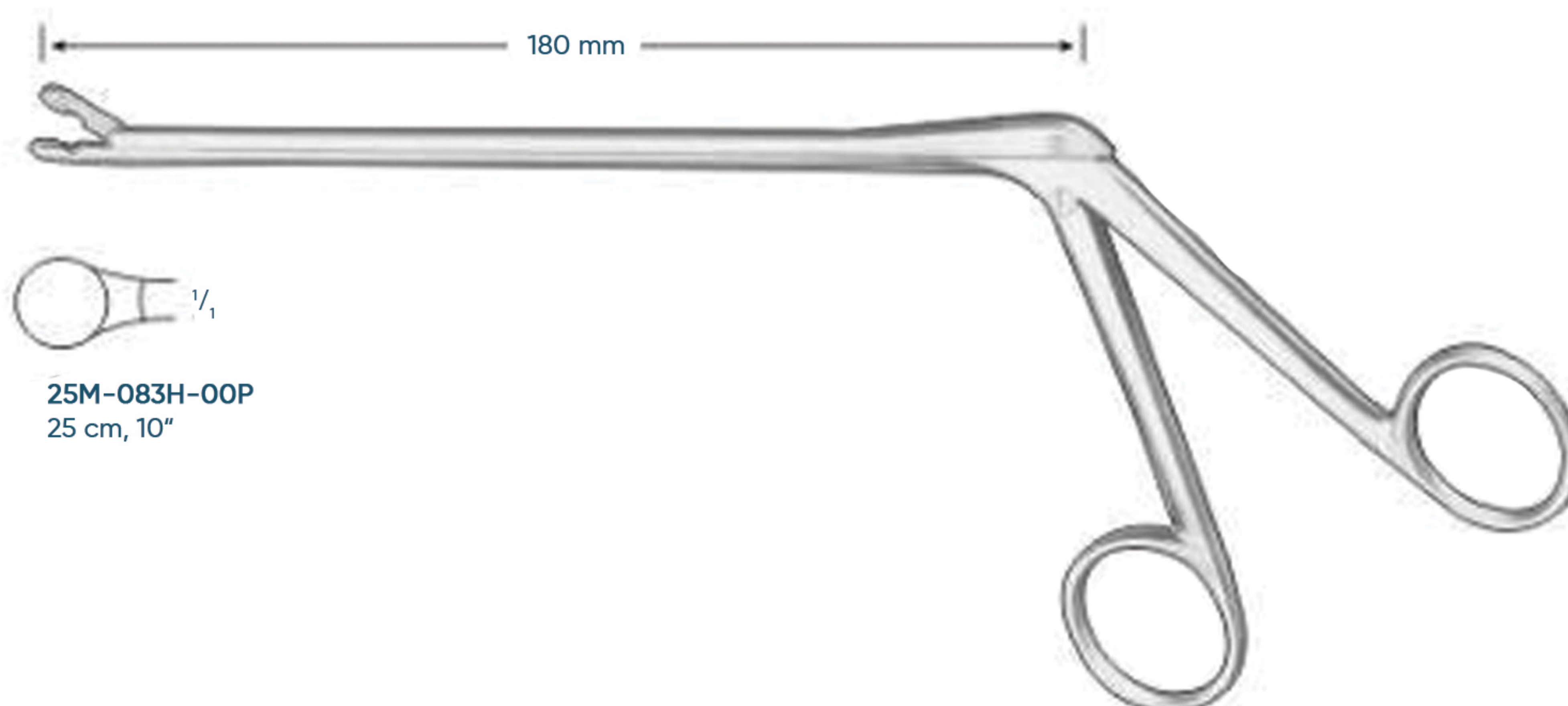


Laminectomy Rongeurs

Schlesinger

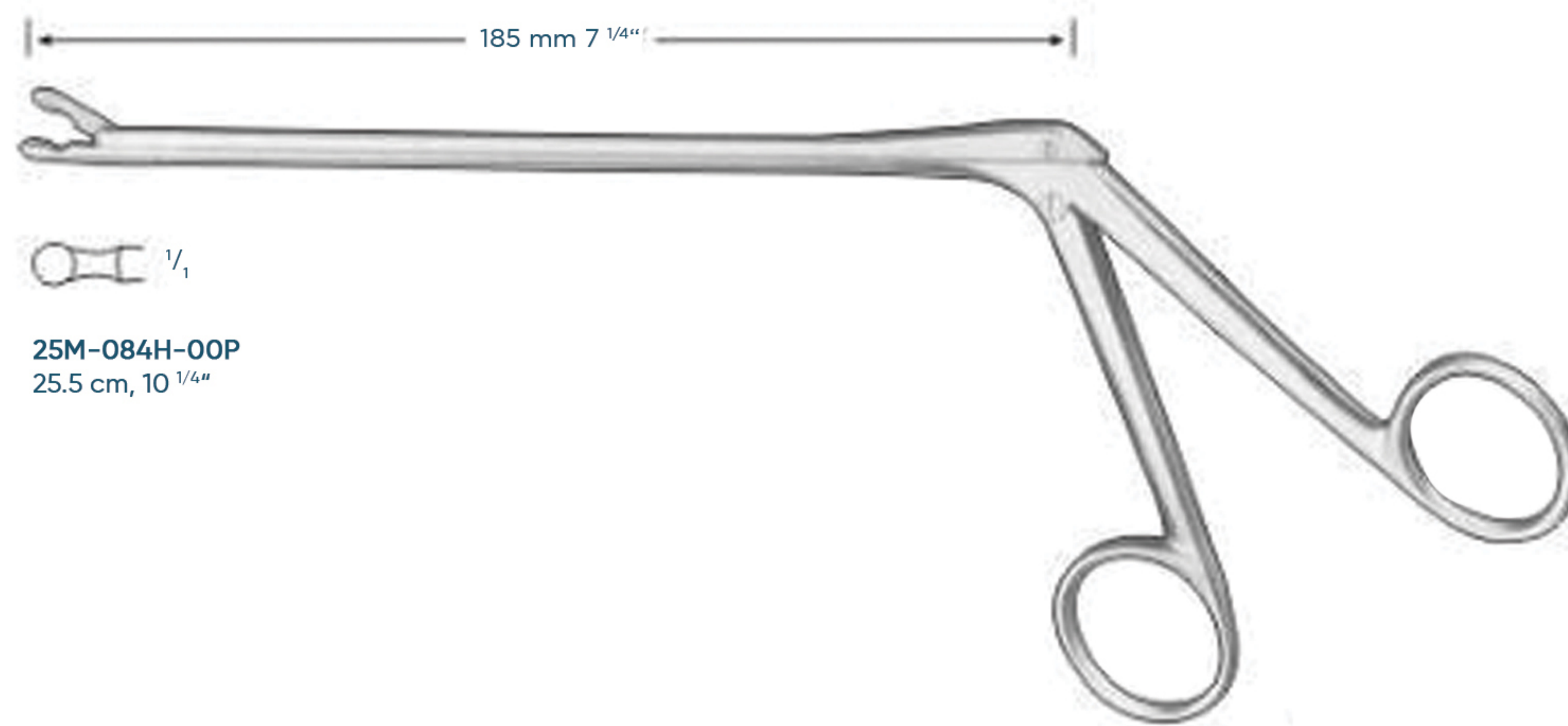


Oldberg

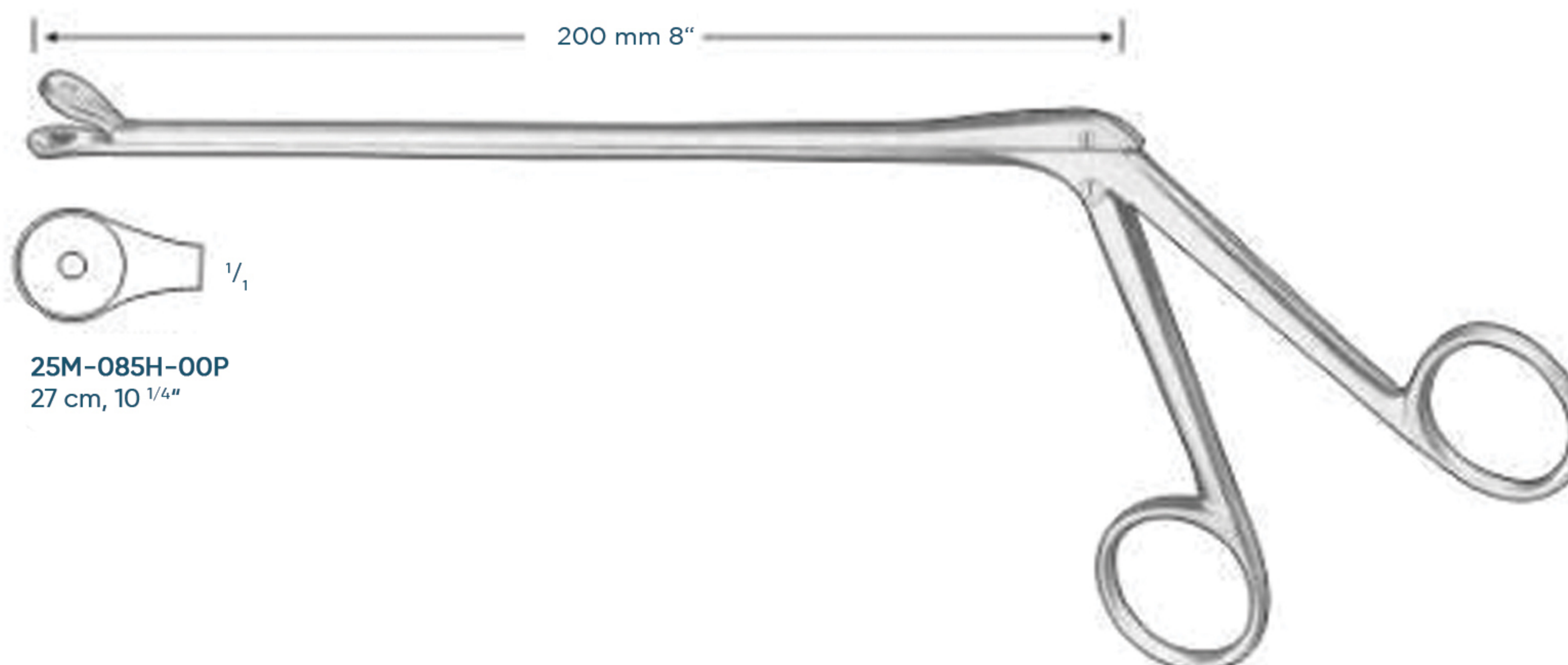


Laminectomy Rongeurs

Yasargil

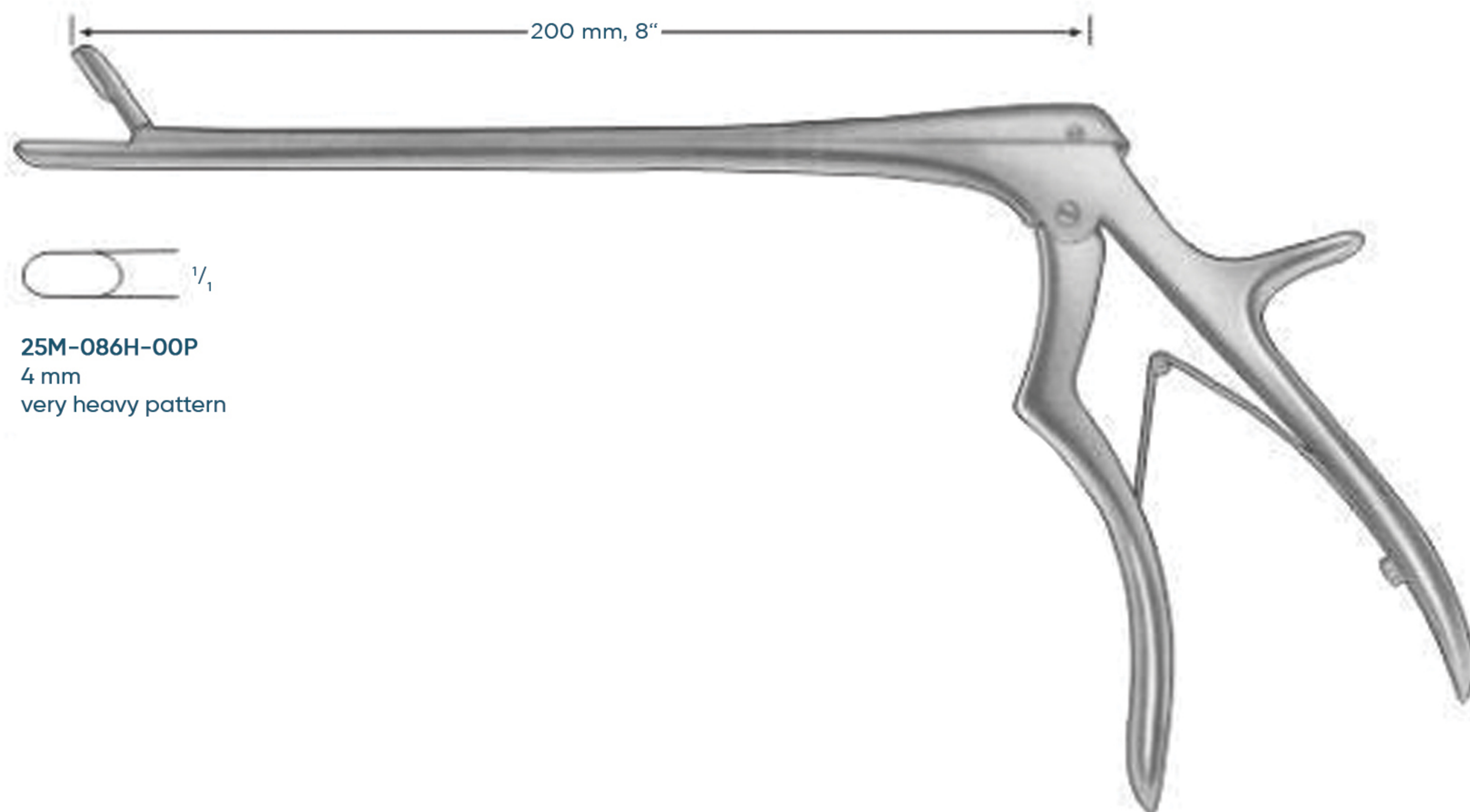


Landolt

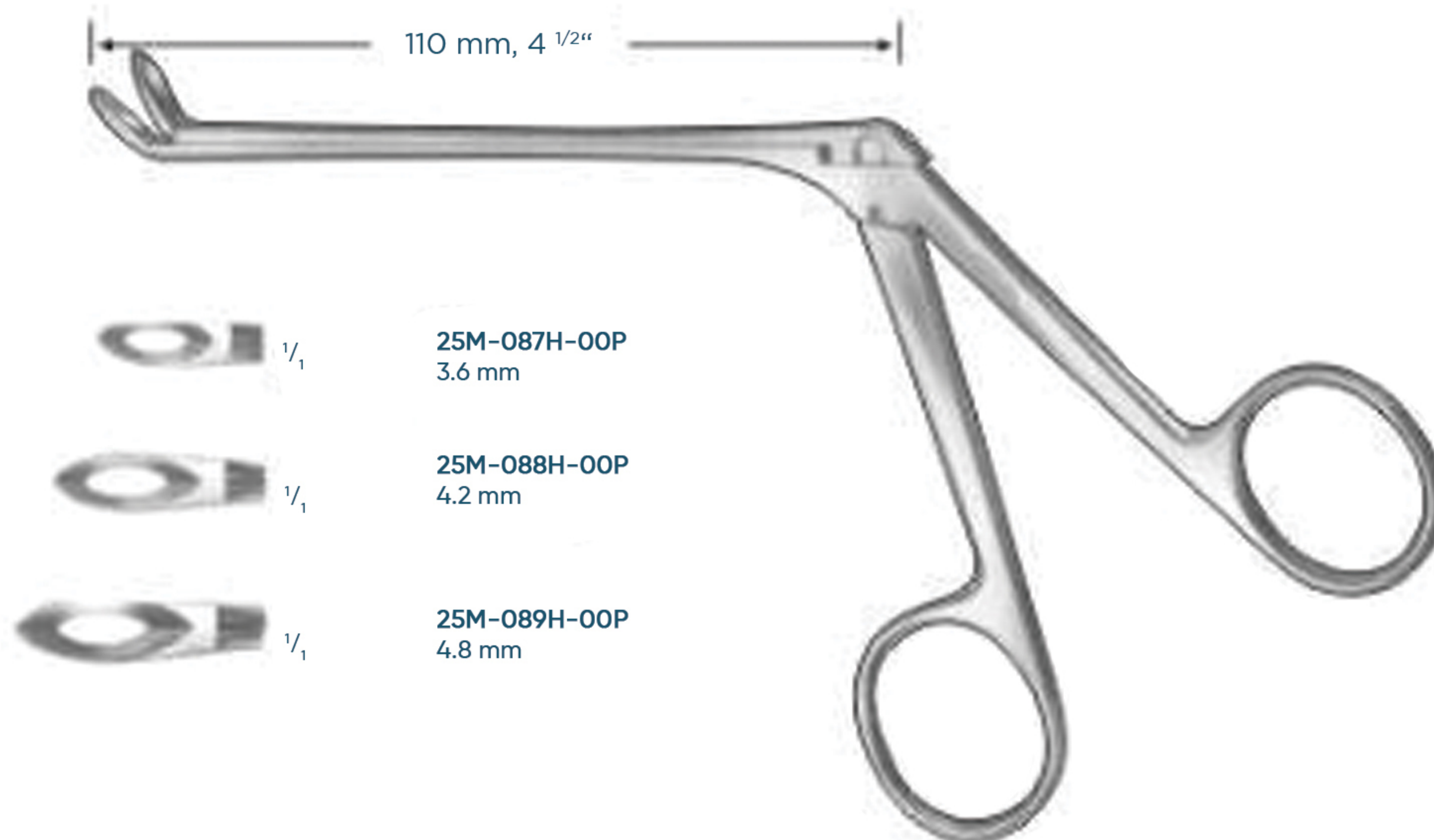


Laminectomy Rongeurs

Wagner



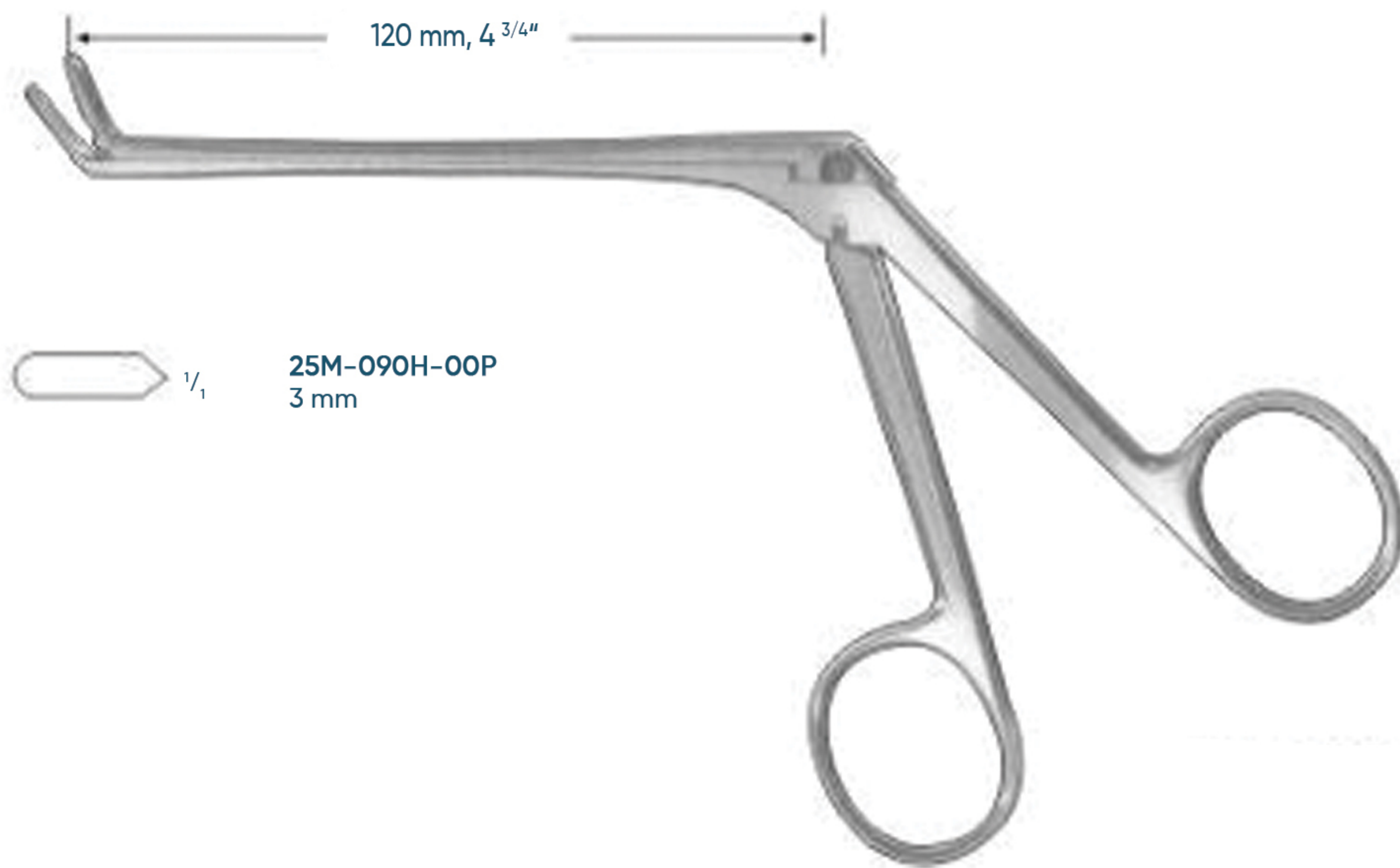
Weil-Blakesley



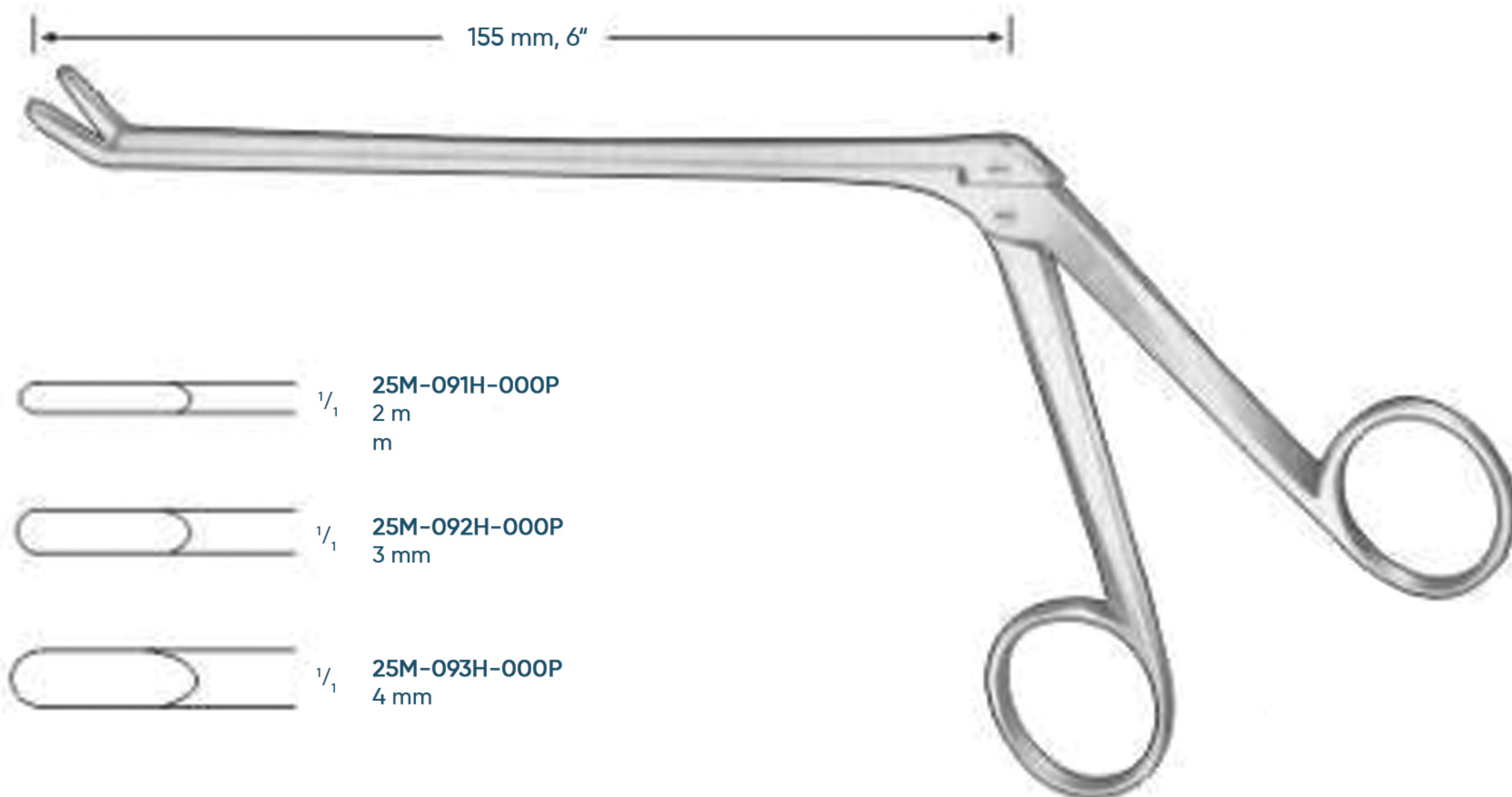


Laminectomy Rongeurs

Takahashi



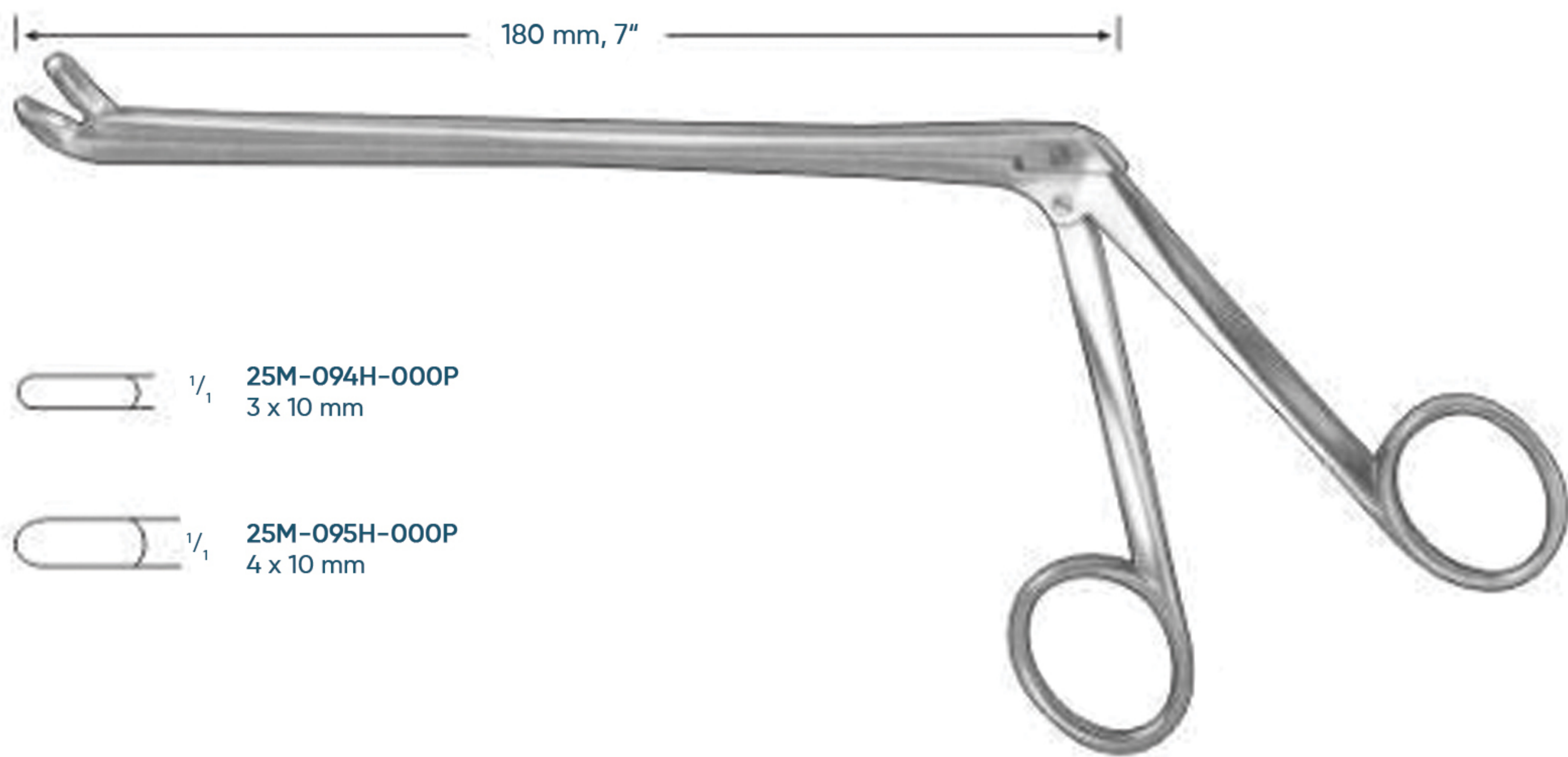
Caspar



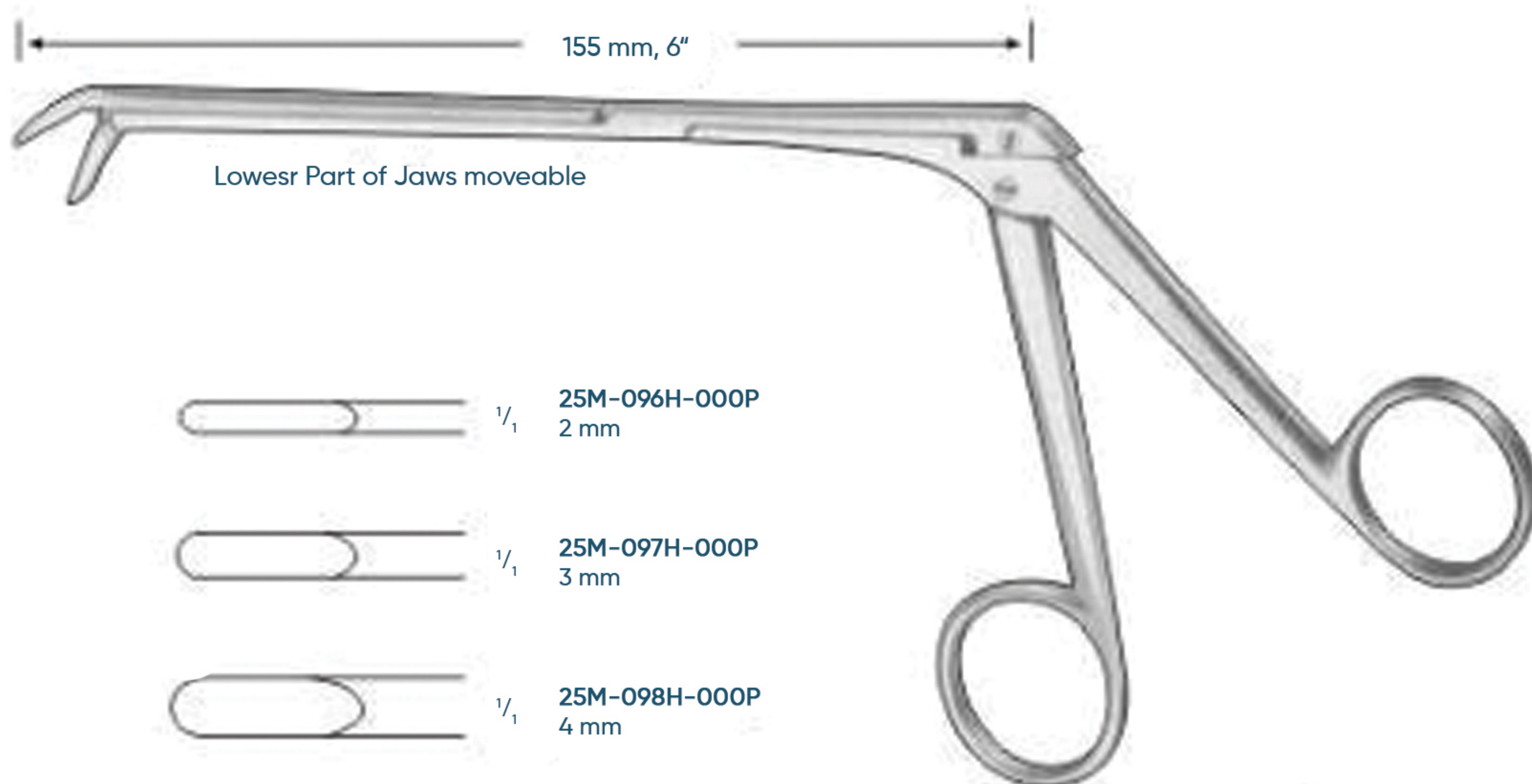


Laminectomy Rongeurs

Love-Gruenwald

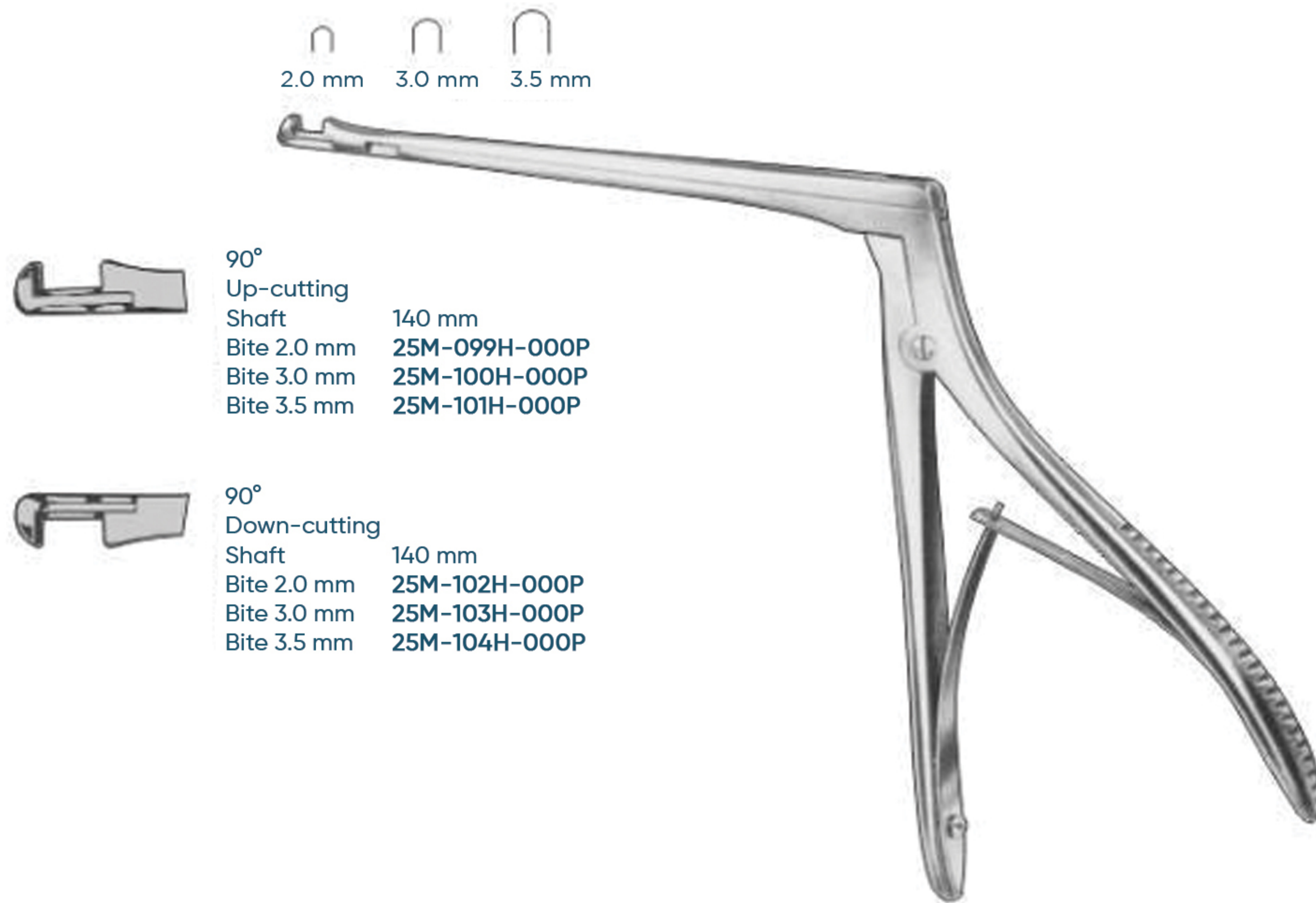


Caspar

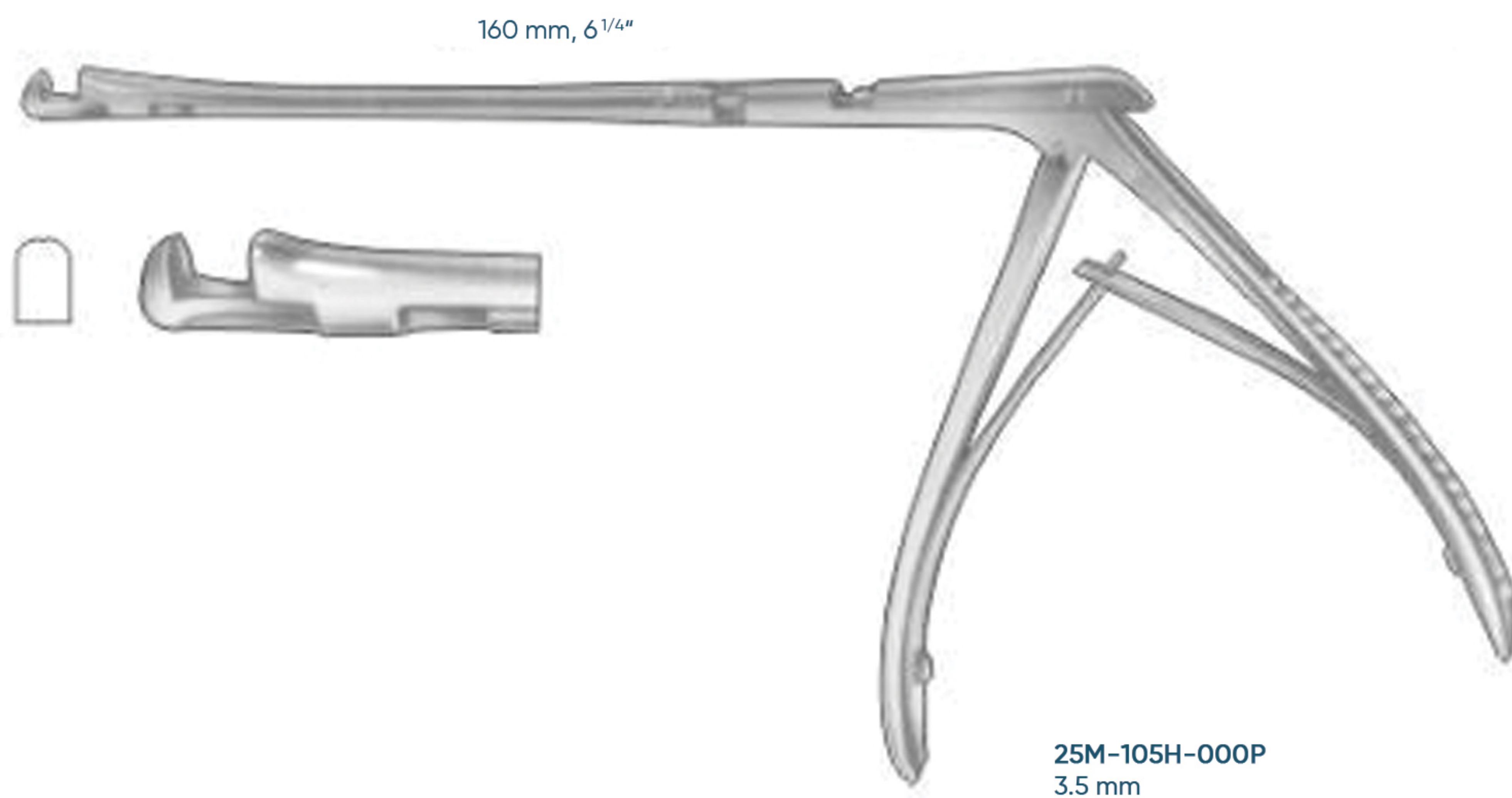


Laminectomy Punches

Hajek-Kofler



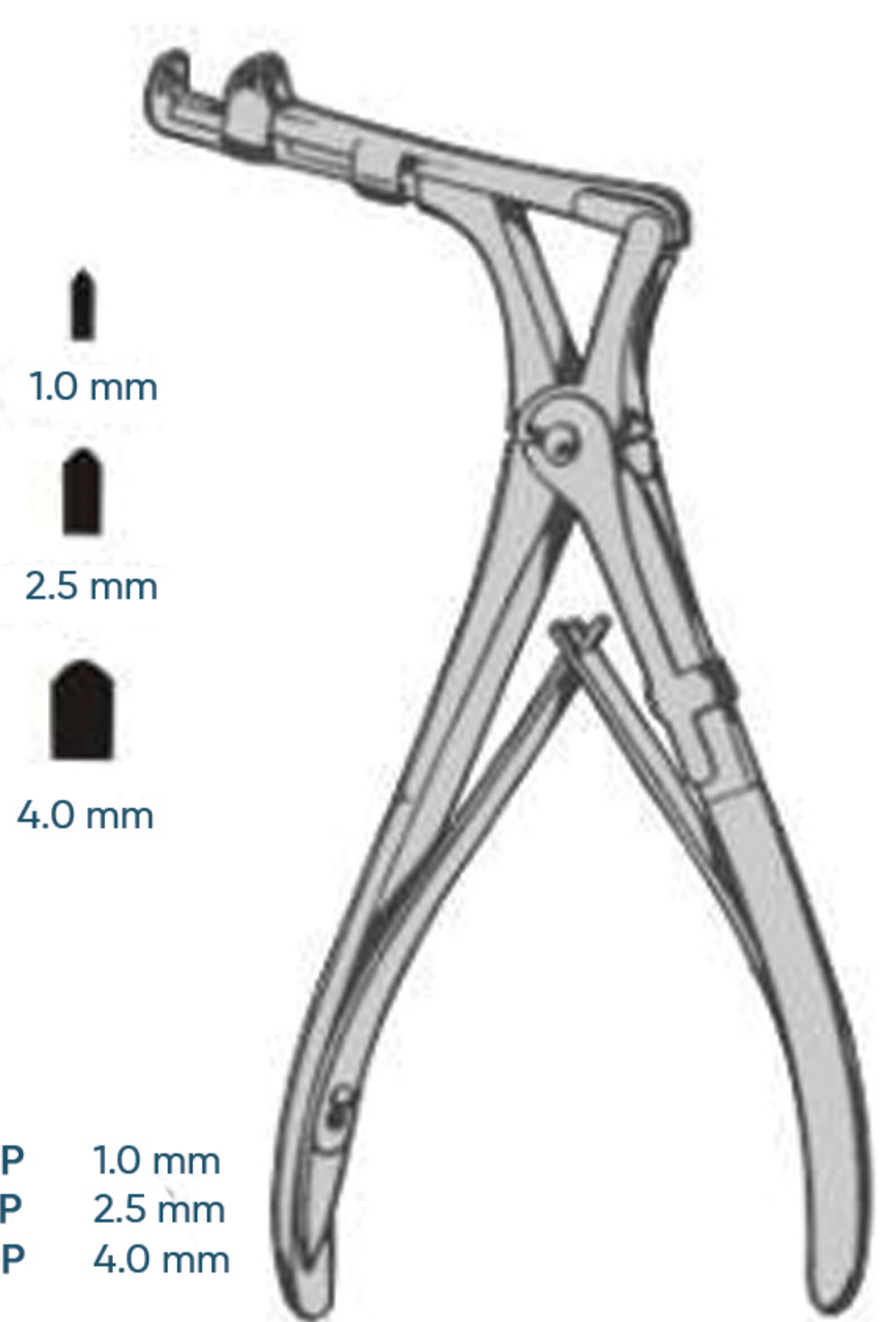
Hajek-Kofler





Laminectomy Punches

Citelli



25M-106H-000P	1.0 mm
25M-107H-000P	2.5 mm
25M-108H-000P	4.0 mm

Punches

Love-Kerrison Laminectomy Punch



Forward 90° Regular Footplate

2 mm bite forward
25M-109H-000P 150 mm
25M-110H-000P 200 mm

3 mm bite forward
25M-111H-000P 150 mm
25M-112H-000P 200 mm

4 mm bite forward
25M-113H-000P 150 mm
25M-114H-000P 200 mm

5 mm bite forward
25M-115H-000P 150 mm
25M-116H-000P 200 mm

6 mm bite forward
25M-117H-000P 150 mm
25M-118H-000P 200 mm



Up 40° Regular Footplate

2 mm bite up
25M-119H-000P 150 mm
25M-120H-000P 200 mm

3 mm bite up
25M-121H-000P 150 mm
25M-122H-000P 200 mm

4 mm bite up
25M-123H-000P 150 mm
25M-124H-000P 200 mm

5 mm bite up
25M-125H-000P 150 mm
25M-126H-000P 200 mm

6 mm bite up
25M-127H-000P 200 mm



Dowb 90° Regular Footplate

3 mm bite down
25M-128H-000P 150 mm
25M-129H-000P 200 mm

4 mm bite down
25M-130H-000P 150 mm
25M-131H-000P 200 mm

5 mm bite down
25M-132H-000P 150 mm
25M-133H-000P 200 mm

Laminectomy Punches

Thin Footplate Kerrison Punch



Forward 90° Thin footplate

1 mm bite forward	
25M-134H-000P	150 mm
25M-135H-000P	180 mm
25M-136H-000P	200 mm
2 mm bite forward	
25M-137H-000P	150 mm
25M-138H-000P	180 mm
25M-139H-000P	200 mm
3 mm bite forward	
25M-140H-000P	150 mm
25M-141H-000P	180 mm
25M-142H-000P	200 mm
4 mm bite forward	
25M-143H-000P	150 mm
25M-144H-000P	180 mm
25M-145H-000P	200 mm
5 mm bite forward	
25M-146H-000P	150 mm
25M-147H-000P	180 mm
25M-148H-000P	200 mm



Up 40° Thin footplate

1 mm bite up	
25M-149H-000P	180 mm
2 mm bite up	
25M-150H-000P	180 mm
3 mm bite up	
25M-151H-000P	180 mm
4 mm bite up	
25M-152H-000P	180 mm
5 mm bite up	
25M-153H-000P	180 mm

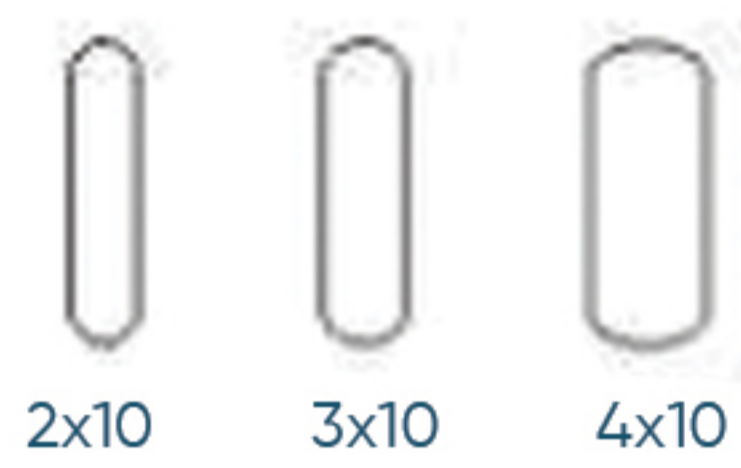


Down 90° Thin footplate

1 mm bite down	
25M-154H-000P	180 mm
2 mm bite down	
25M-155H-000P	180 mm
3 mm bite down	
25M-156H-000P	180 mm
4 mm bite down	
25M-157H-000P	180 mm
5 mm bite down	
25M-158H-000P	180 mm

Laminectomy Rongeurs

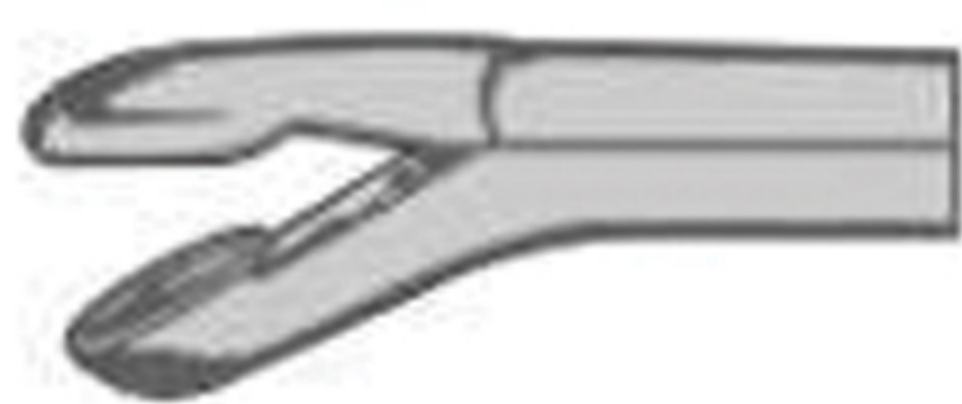
Ferris - Smith



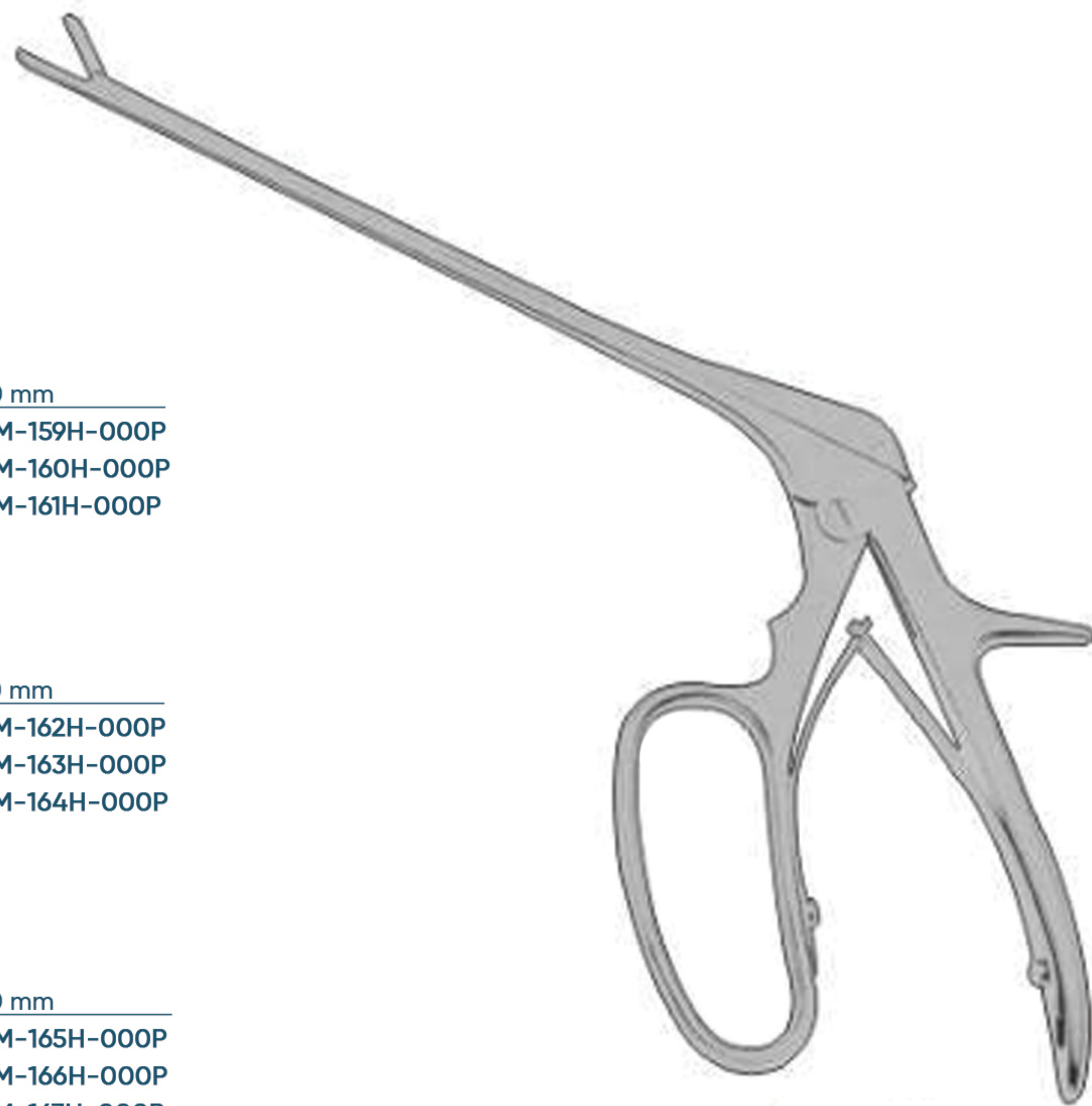
Straight
Shaft 180 mm
Bite 2 x 10 mm 25M-159H-000P
Bite 3 x 10 mm 25M-160H-000P
Bite 4 x 10 mm 25M-161H-000P



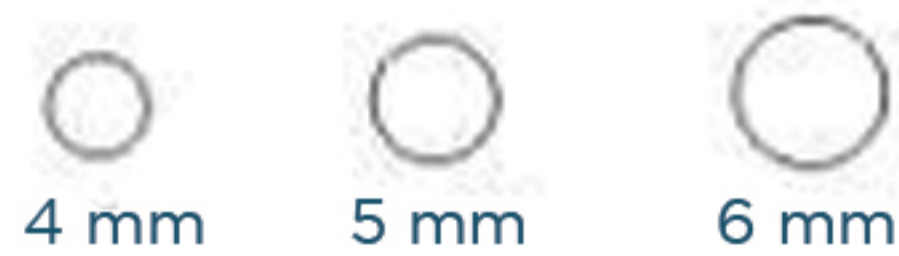
Angled - up
Shaft 180 mm
Bite 2 x 10 mm 25M-162H-000P
Bite 3 x 10 mm 25M-163H-000P
Bite 4 x 10 mm 25M-164H-000P



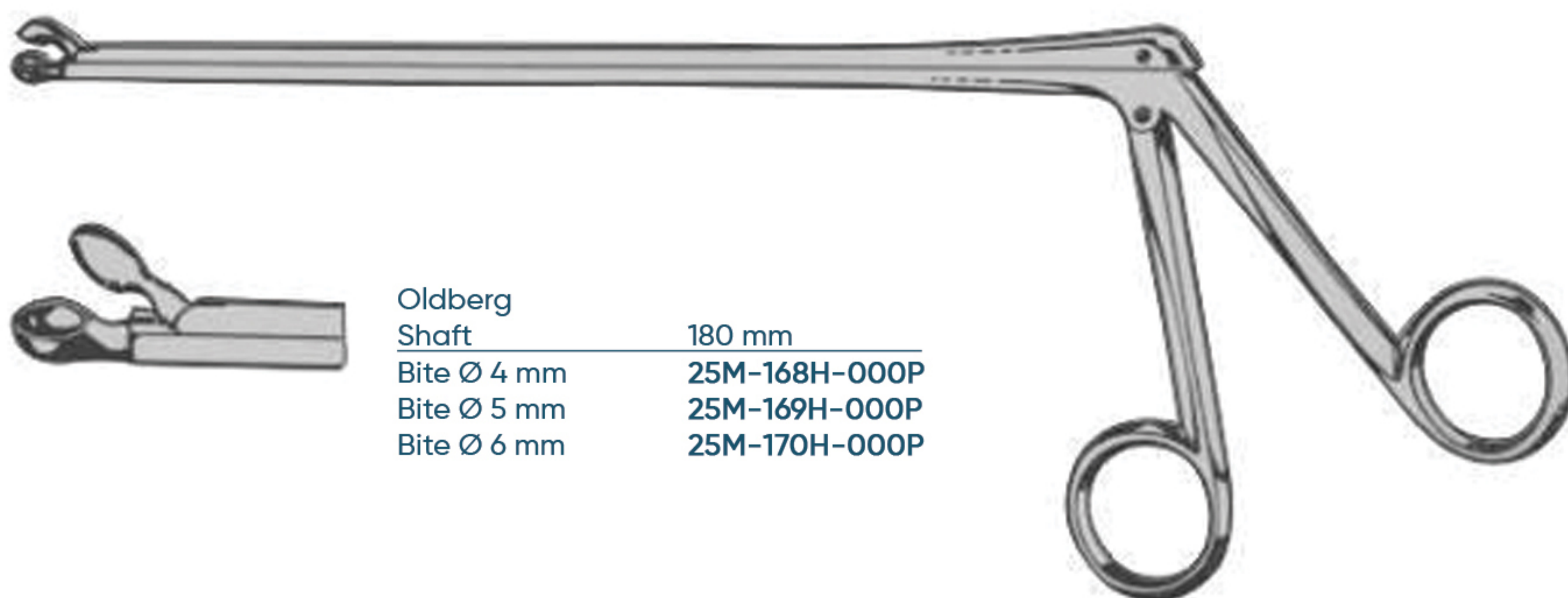
Angled - down
Shaft 180 mm
Bite 2 x 10 mm 25M-165H-000P
Bite 3 x 10 mm 25M-166H-000P
Bite 4 x 10 mm 25M-167H-000P



Pituitary Rongeur

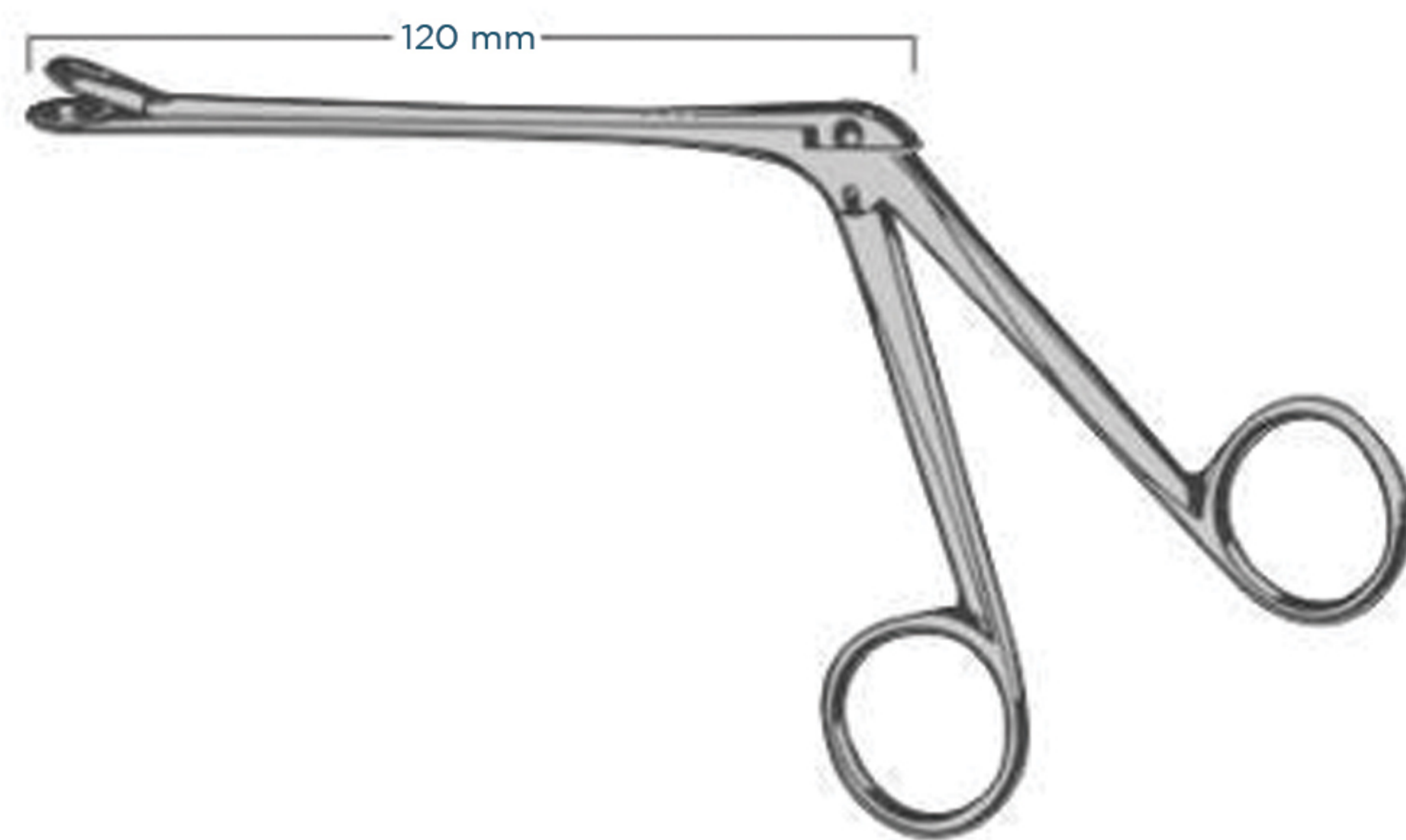
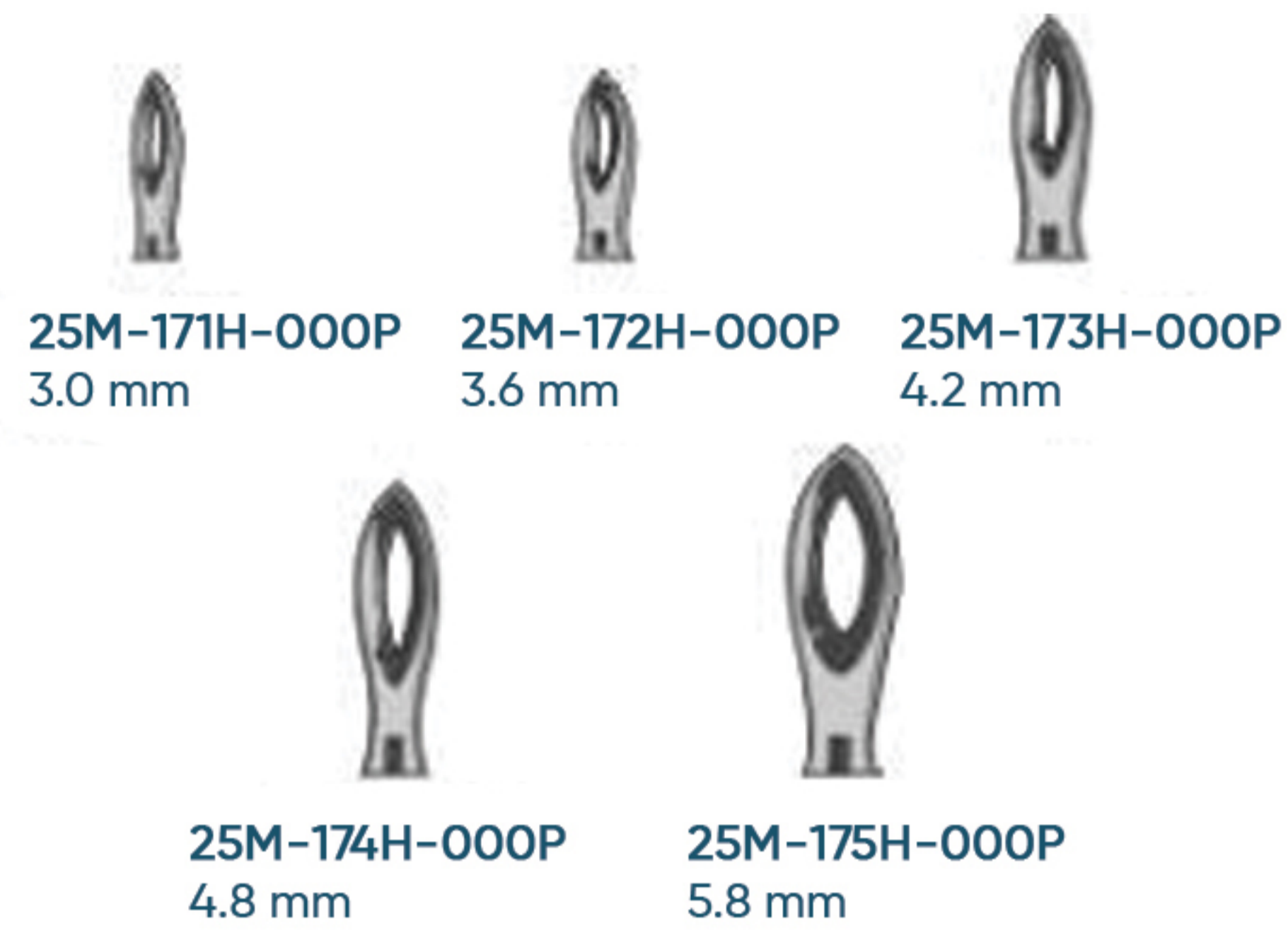


Oldberg
Shaft 180 mm
Bite Ø 4 mm 25M-168H-000P
Bite Ø 5 mm 25M-169H-000P
Bite Ø 6 mm 25M-170H-000P

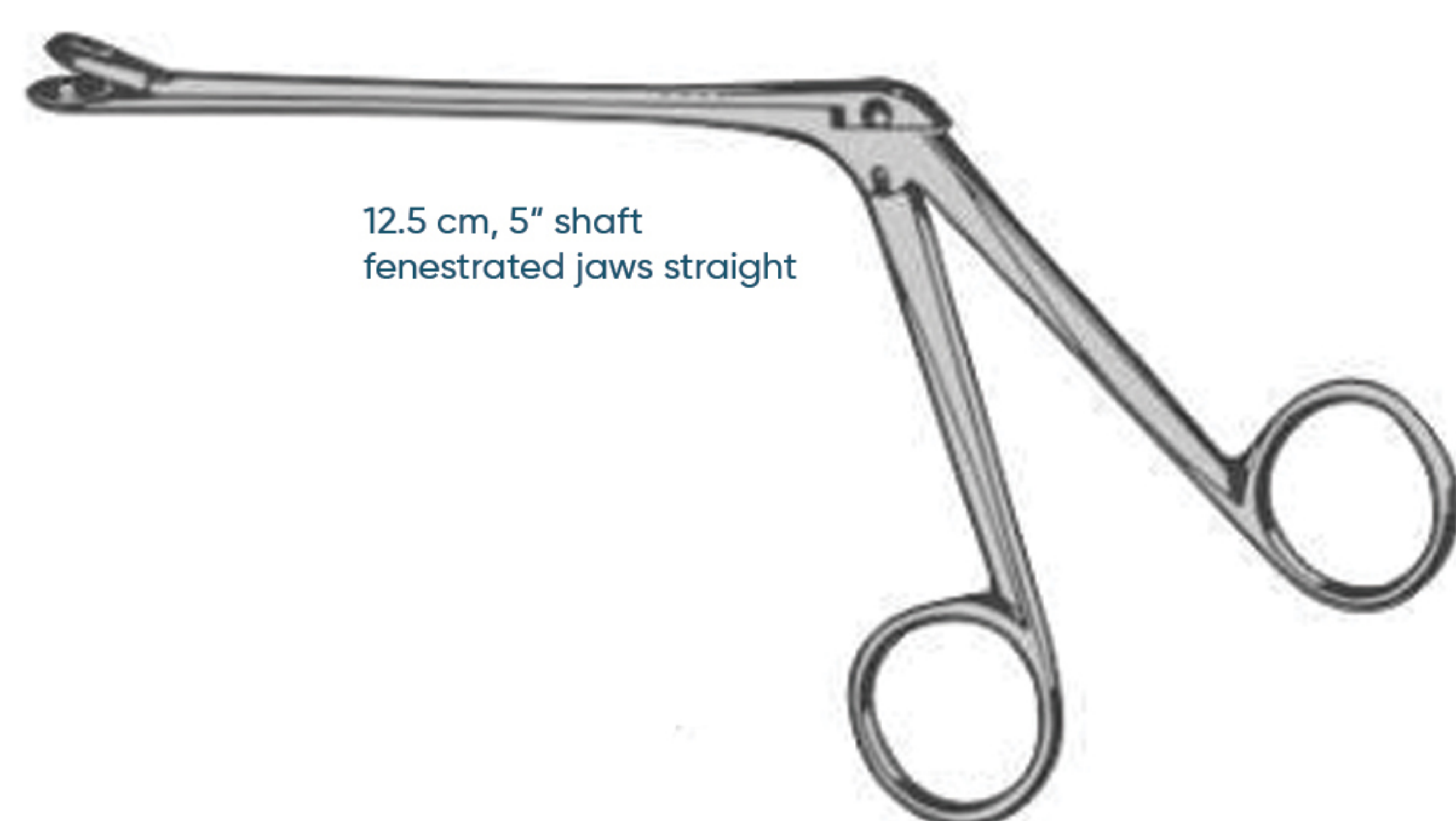


Laminectomy Rongeurs

Weil - Blakesley



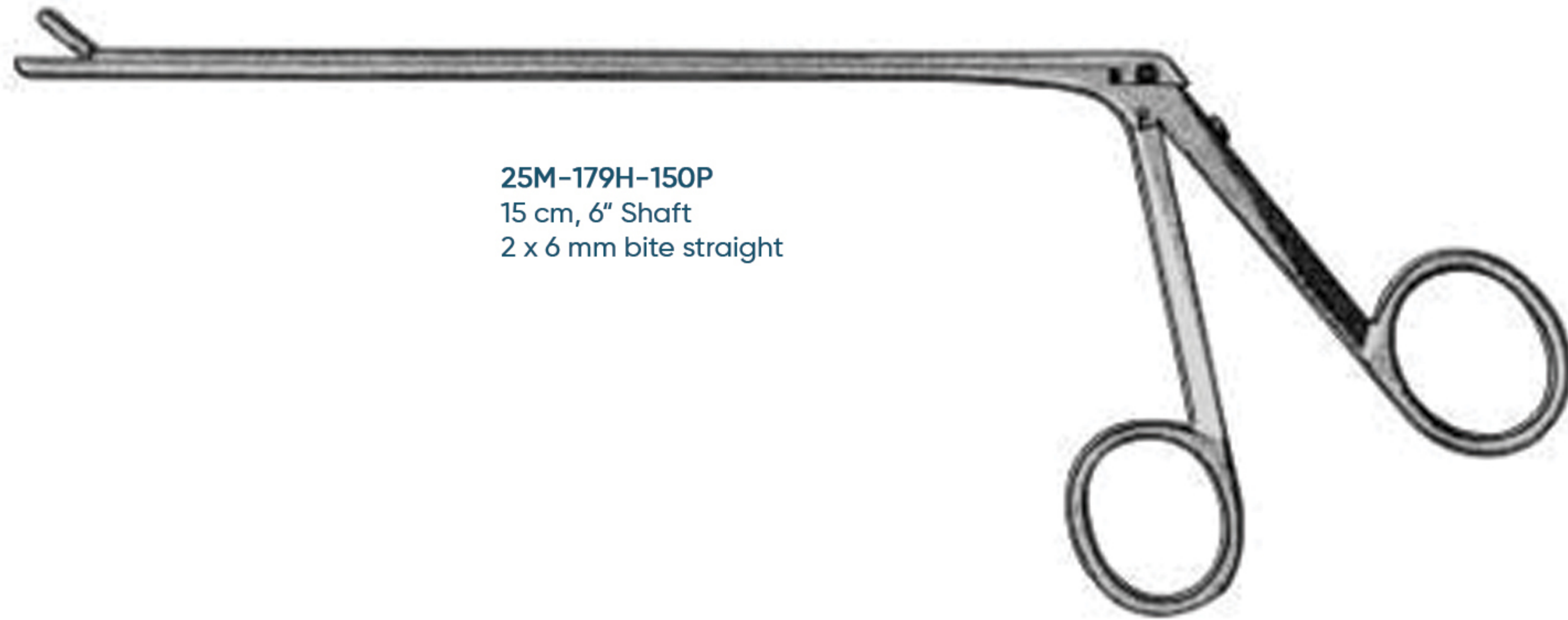
Wilde Intervertebral Disc Rongeur





Laminectomy Rongeurs

Decker Intervertebral Disc Rongeur



25M-179H-150P
15 cm, 6" Shaft
2 x 6 mm bite straight

Micro Grasping Forceps



Working length 14 mm

25M-180H-000P
Serrated, straight



Laminectomy Rongeurs

Micro Alligator Scissors



25M-181H-000P
Straight

Micro Cup Forceps



25M-182H-000P
Ø 1.0 mm
Straight



25M-183H-000P
Ø 2.0 mm
Straight



25M-184H-000P
Ø 3.0 mm
Straight



25M-185H-000P
Ø 1.0 mm
angled up



25M-186H-000P
Ø 2.0 mm
curved to right



25M-187H-000P
Ø 3.0 mm
curved to left



Laminectomy Rongeurs

Micro Alligator Forceps



25M-188H-180P
Grasping Forceps
Ø 3 mm



25M-189H-180P
Cup Forceps
Ø 2 mm



25M-190H-180P
Alligator Scissors
Ø 2 mm

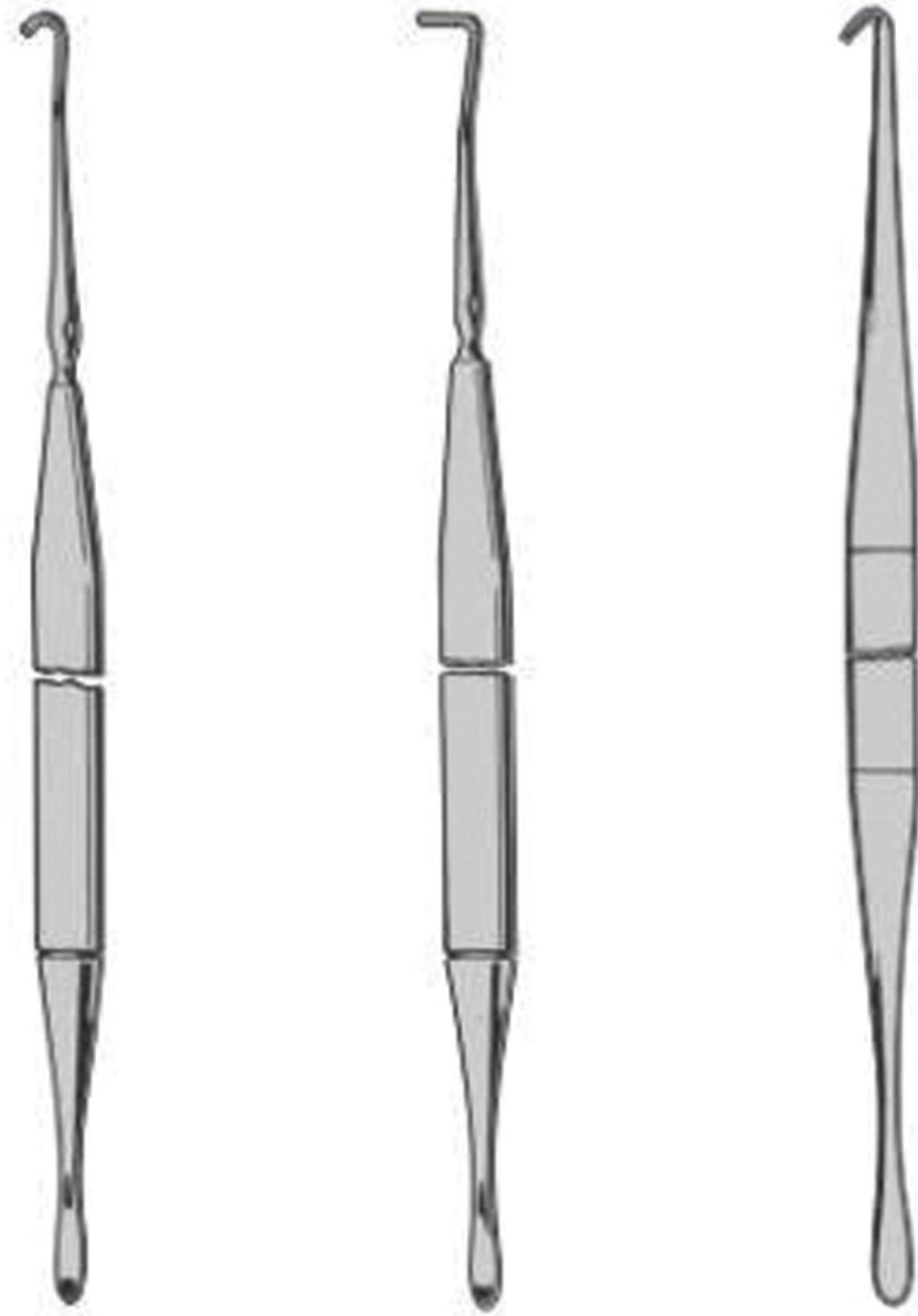


with tubular shaft
18 cm, 7"



Dura Hooks / Nerve Hooks

Scoville



25M-191H-300P
30 cm, 12"
Nerve Hook and
Dissector

25M-192H-300P
30 cm, 12"
Nerve Hook and
Dissector

25M-193H-300P
30 cm, 12"
Sympathectomy
Hook and Dissector

Nerve Separator & Spatula



25M-194H-190P
Davis
4 mm, 19 cm, 7 1/2"

25M-195H-200P
Sachs
3 mm, 20 cm, 8"

25M-196H-200P
Sachs
6 mm, 20 cm, 8"

Frazier



25M-197H-125P
FRAZIER
12.5 cm, 5"

Gillies



25M-198H-190P
Small

25M-199H-190P
large

19 cm, 7 1/2"



Dura Hooks / Nerve Hooks

Lahey Clinic



25M-200H-130P
Straight
13 cm, 5"

25M-201H-130P
Straight
13 cm, 5"

Sachs



25M-202H-185P 25M-203H-160P
18.5 cm, 7 1/4" 16 cm, 6 1/2"

Toennis



25M-204H-150P
15 cm, 6"

Dura Twist Hook



25M-205H-140P
14 cm, 5 1/2"



Cranial Rongeurs, Dura Dissectors

Sachs



25M-206H-160P
21 cm, 8 1/4"

Milligan



25M-207H-160P
21 cm, 8 1/4"

Sachs



25M-208H-160P
21 cm, 8 1/4"



25M-209H-160P
22 cm, 8 3/4"

Penfield



25M-210H-160P
17.5 cm, 7"

Penfield



25M-211H-160P
19.5 cm, 7 3/4"



Cranial Rongeurs, Dura Dissectors

Penfield



25M-212H-160P
19.5 cm, 7 ³/₄"



25M-213H-220P
22 cm, 8 ³/₄"
Straight

Raney



25M-214H-160P
16 cm, 6 ¹/₂"

Raney



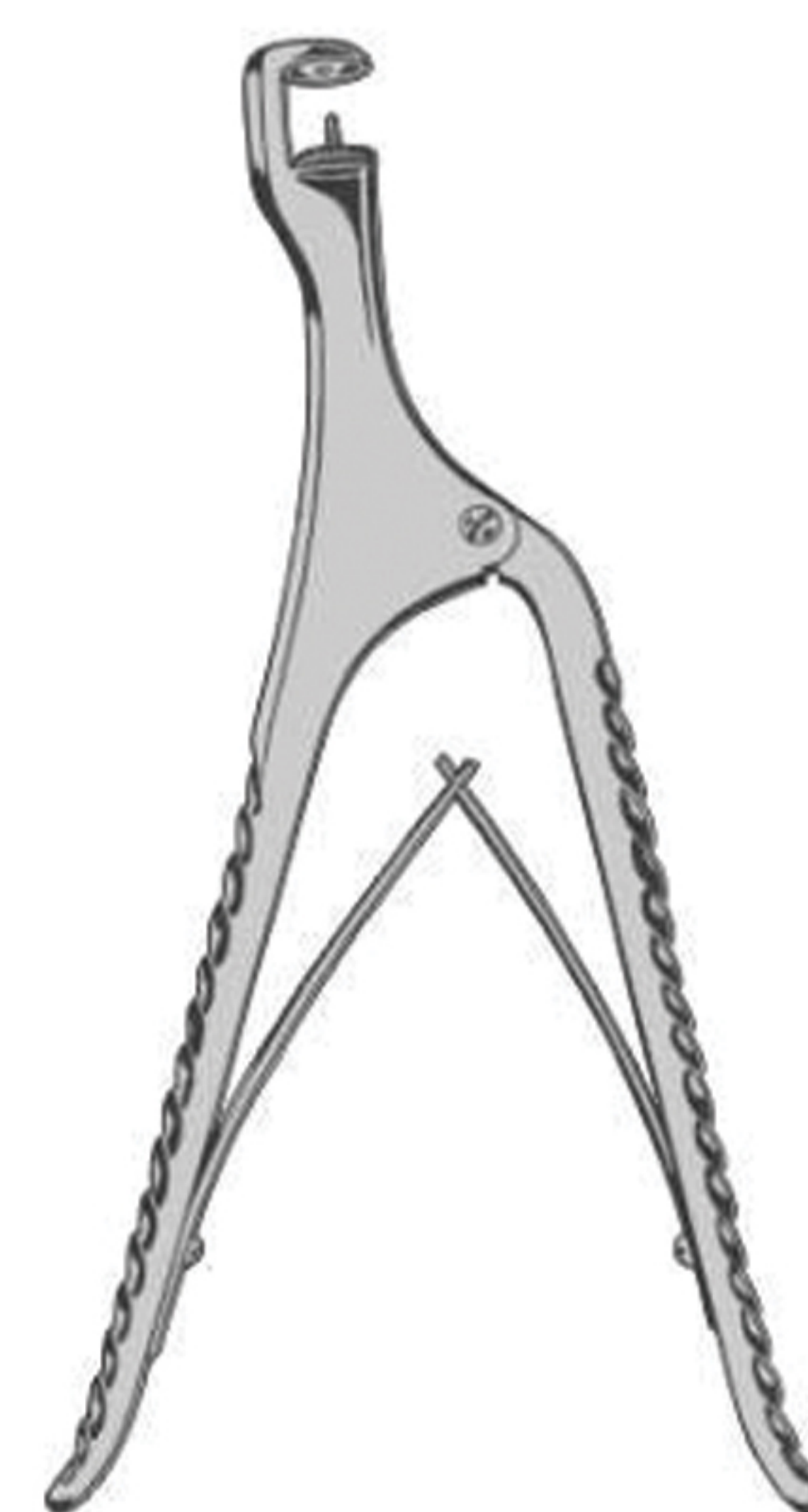
25M-215H-017P
1.7 cm, ³/₄"

Adson



25M-216H-150P
15 cm, 6"
Drill Guide and
Dura Protector

Cone



25M-217H-200P 20 cm, 8"
25M-218H-230P 23 cm, 9"
Skull Punch

Cranial Rongeurs, Dura Dissectors

Dahlgren



25M-219H-200P
20 cm, 8"
Complete with 2 Blades

De Vilbiss



25M-220H-210P
Skull cutting forceps
21 cm, 8 1/4"



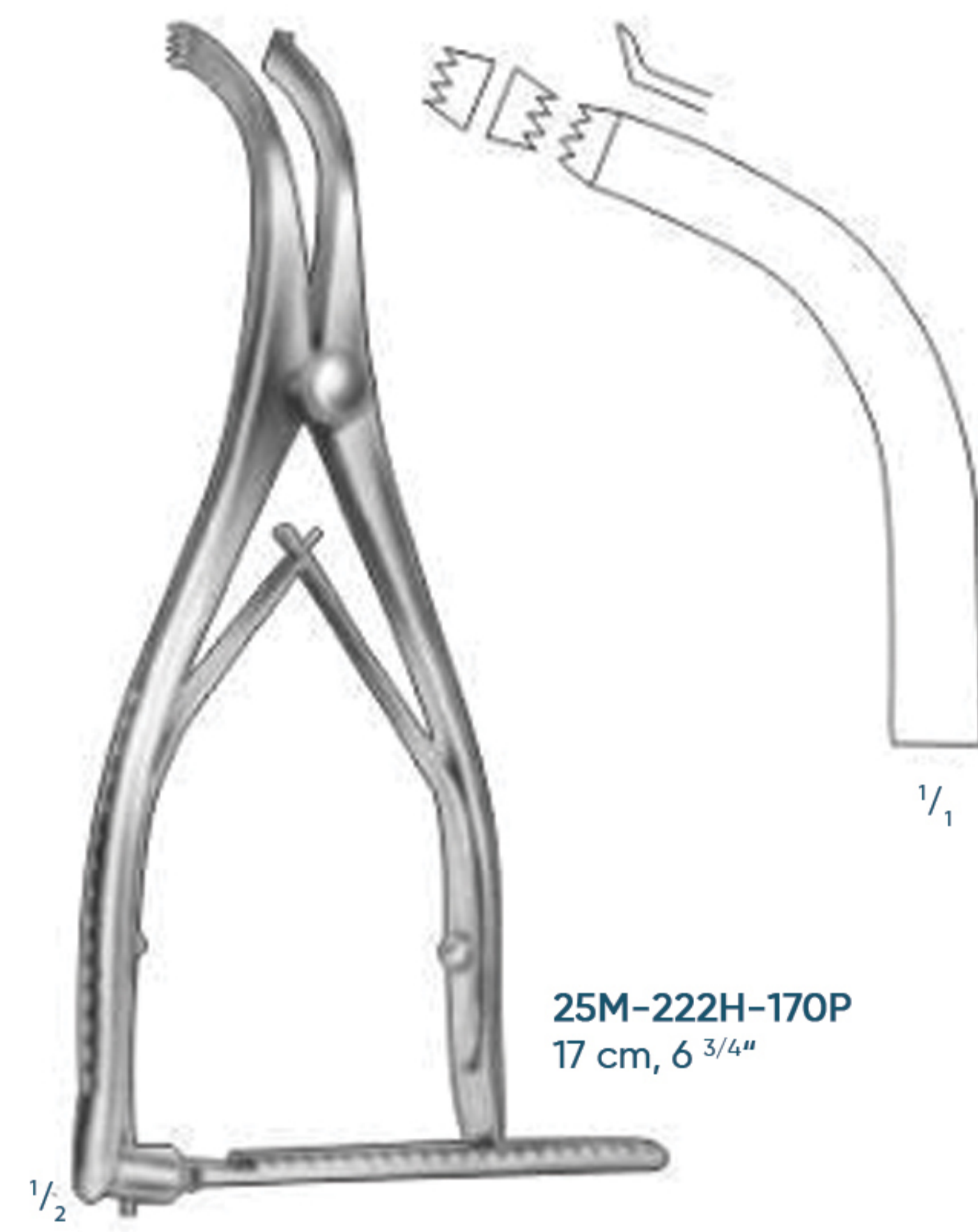
Lamina Spreaders

Inge



25M-221H-160P
16 cm, 6 1/2"
Small pattern

Inge



25M-222H-170P
17 cm, 6 3/4"

Inge



26 cm, 10 1/4"
25M-223H-260P Jaw width 5 mm
25M-224H-260P Jaw width 10 mm
large pattern

Cloward



25M-225H-130P
13 cm, 5"



Lamina Spreaders

Lumbar Lamina Spreader



25M-226H-00P
arm length: 87.5 mm
spread: 37.5 mm

Cloward



25M-227H-160P
16 cm, 6 1/2"



25M-228H-140P
14 cm, 5 1/2"



Sterile Instrumente

info@mhp-gmbh.com | www.mhp-gmbh.com
